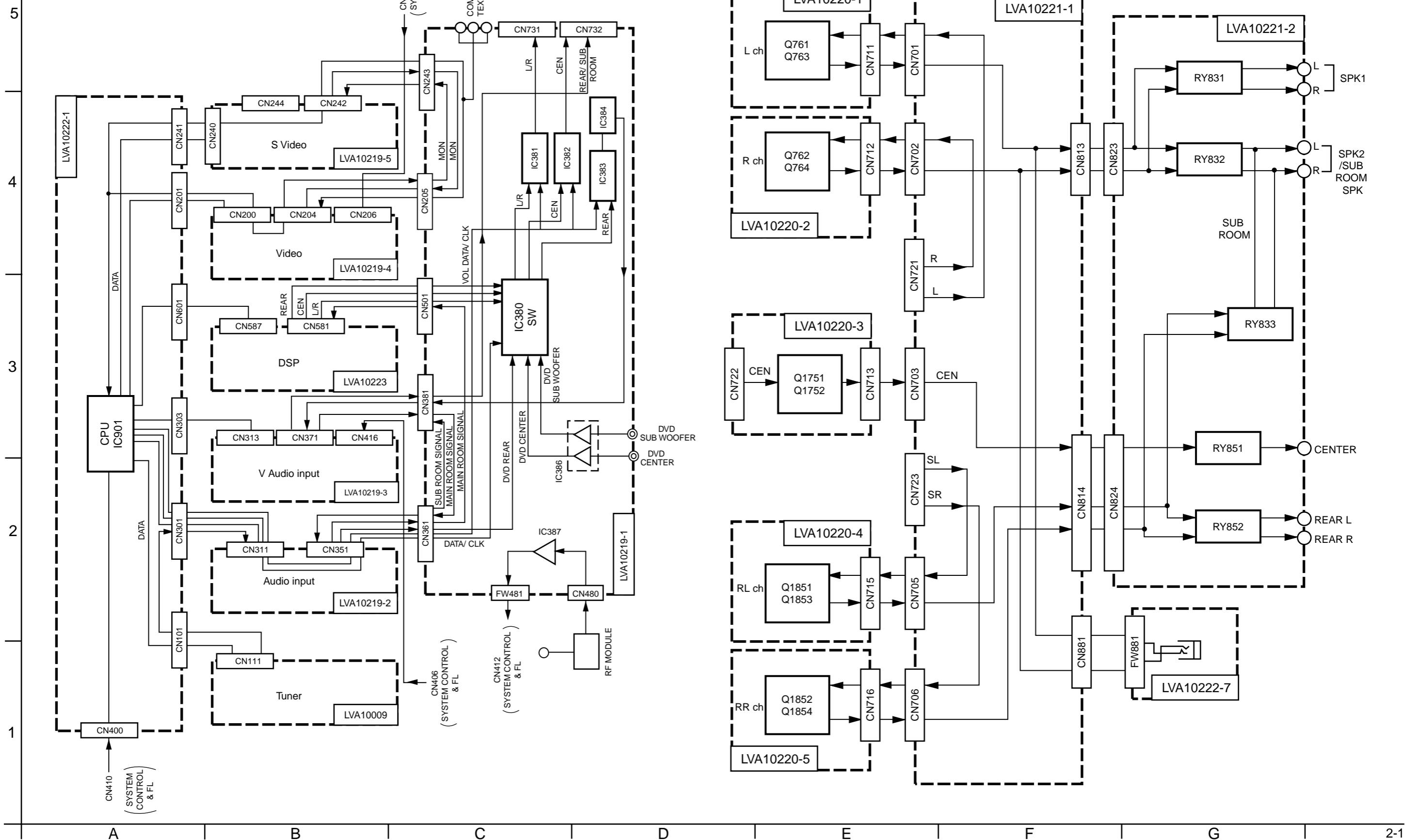


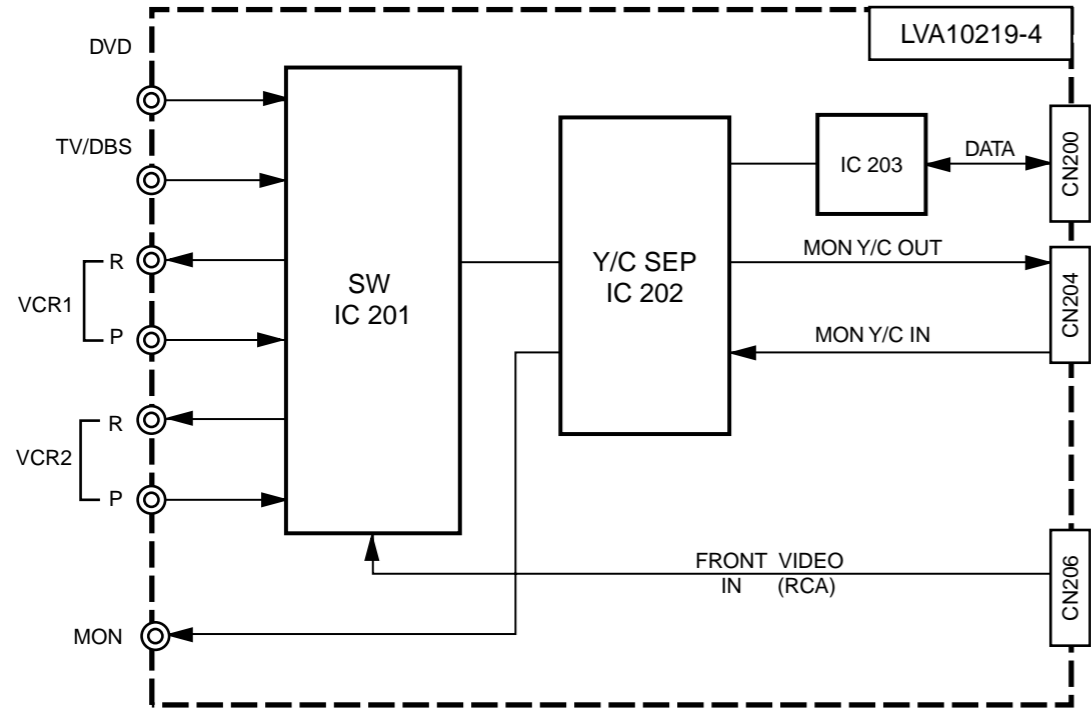
Block diagrams

■ Signal I/O block section

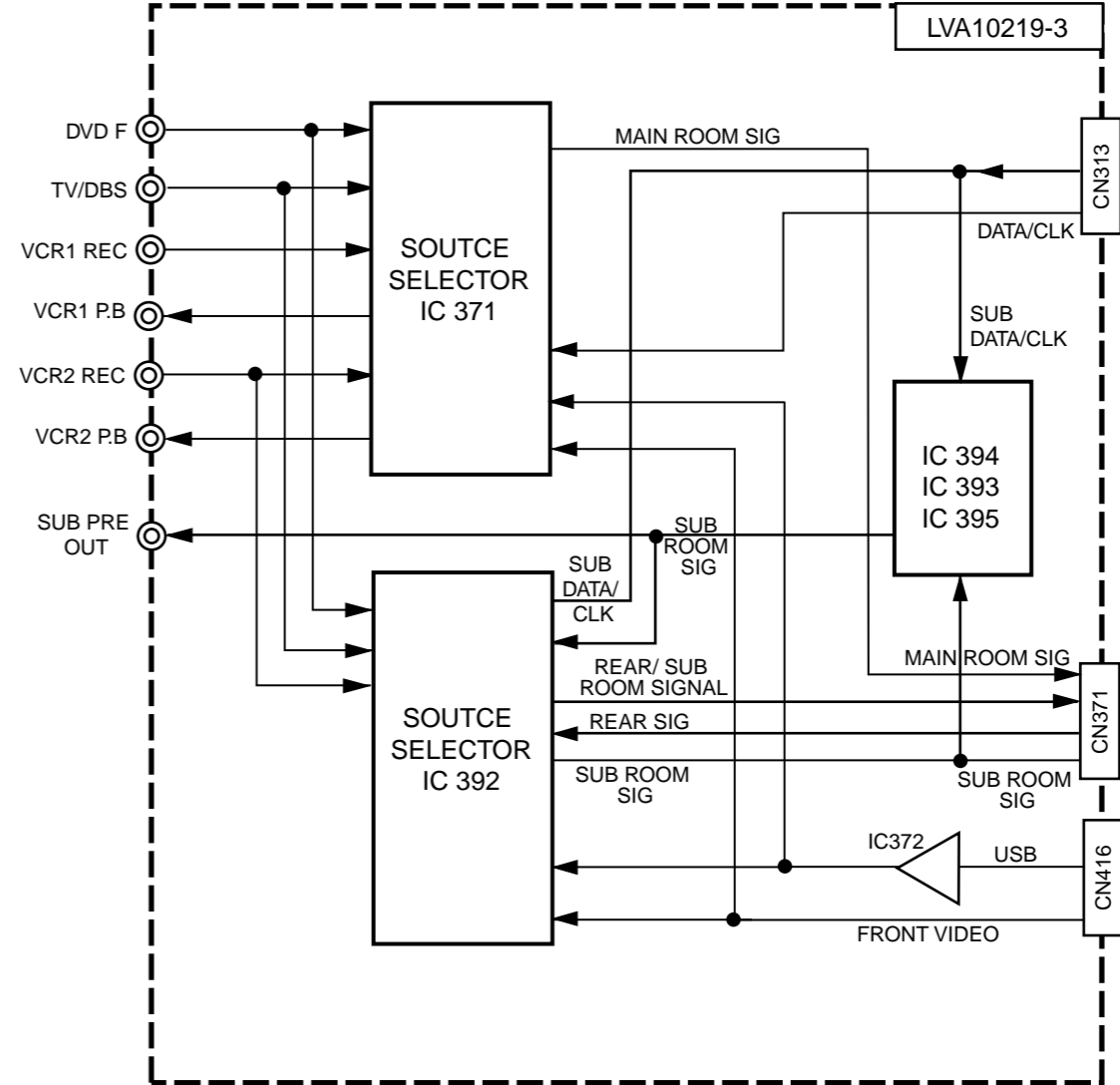
■ Main section



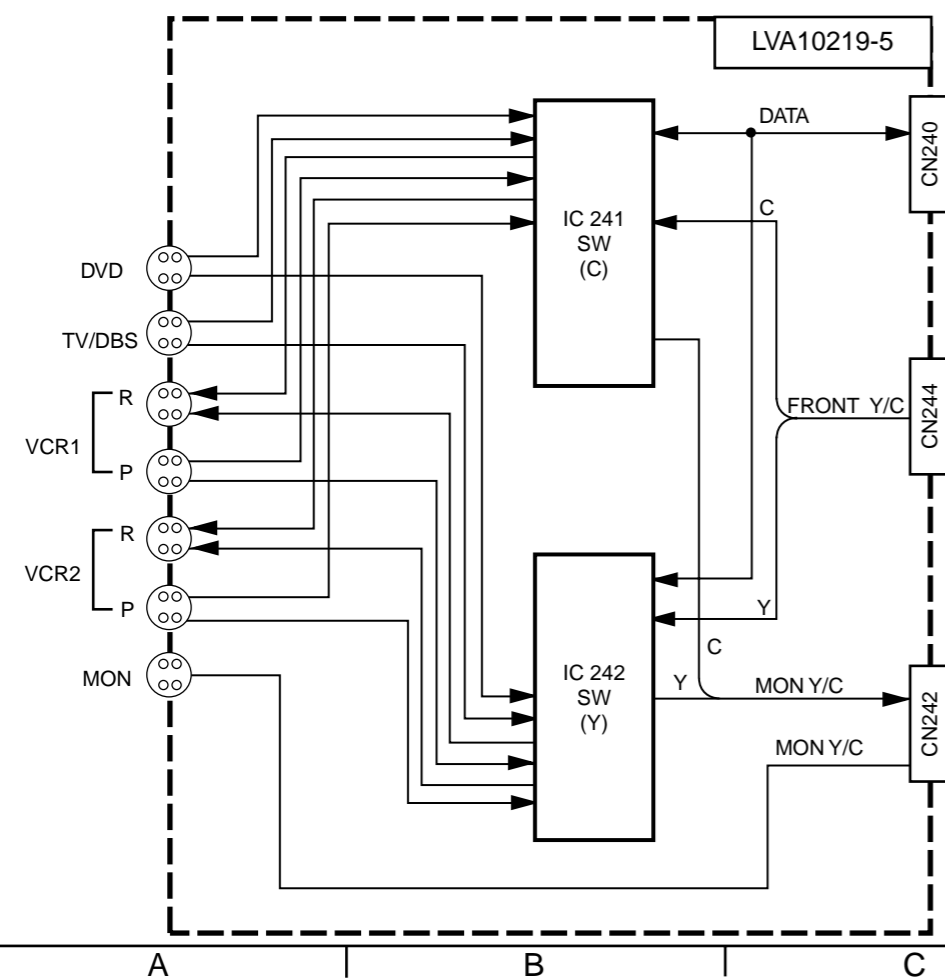
■ Video section



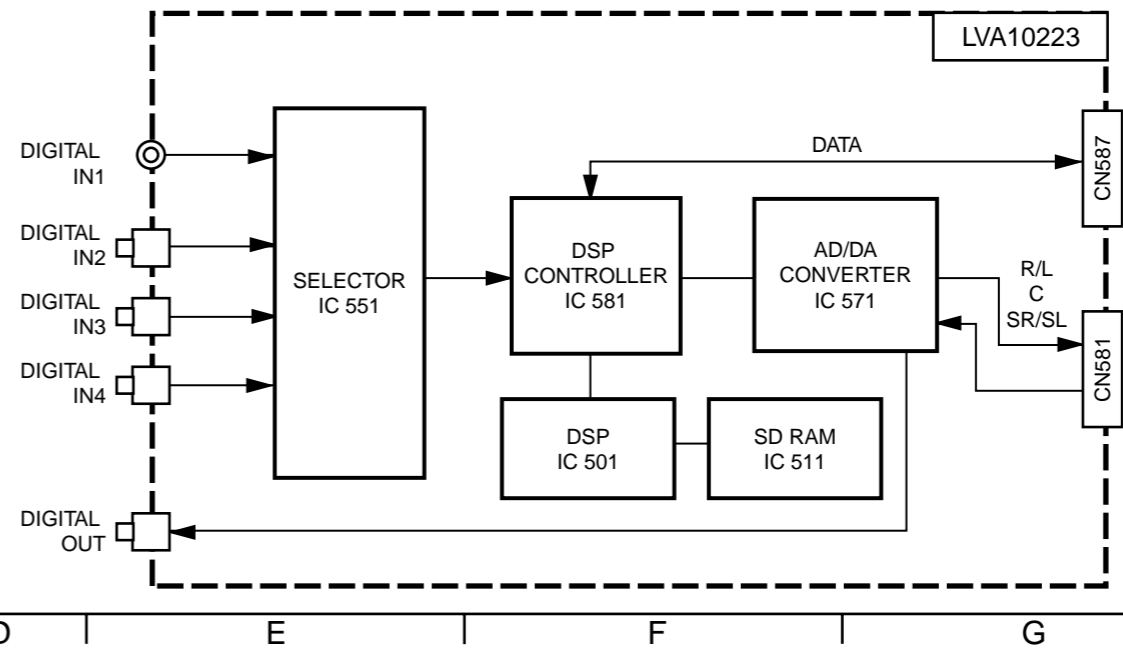
■ V Audio input section



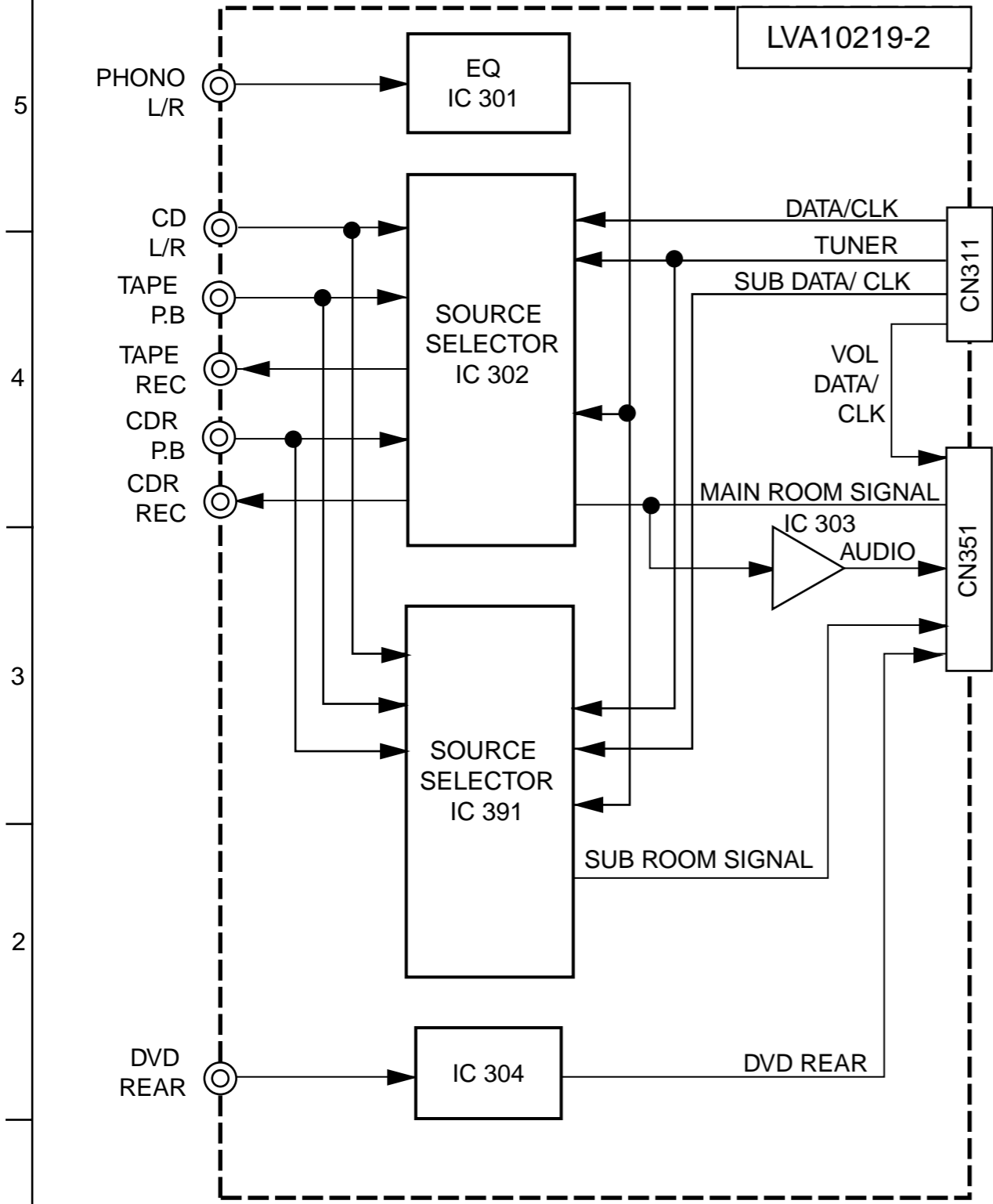
■ S Video section



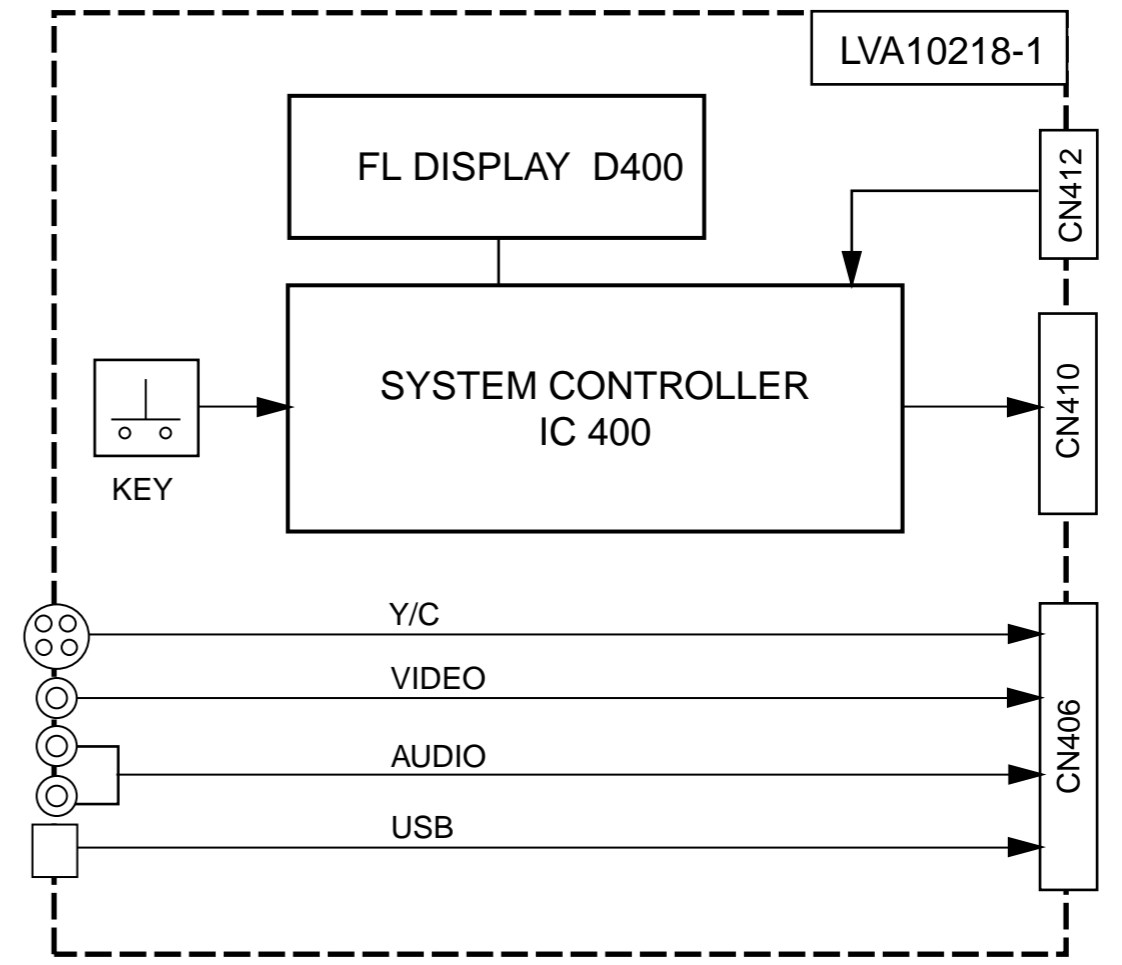
■ DSP section



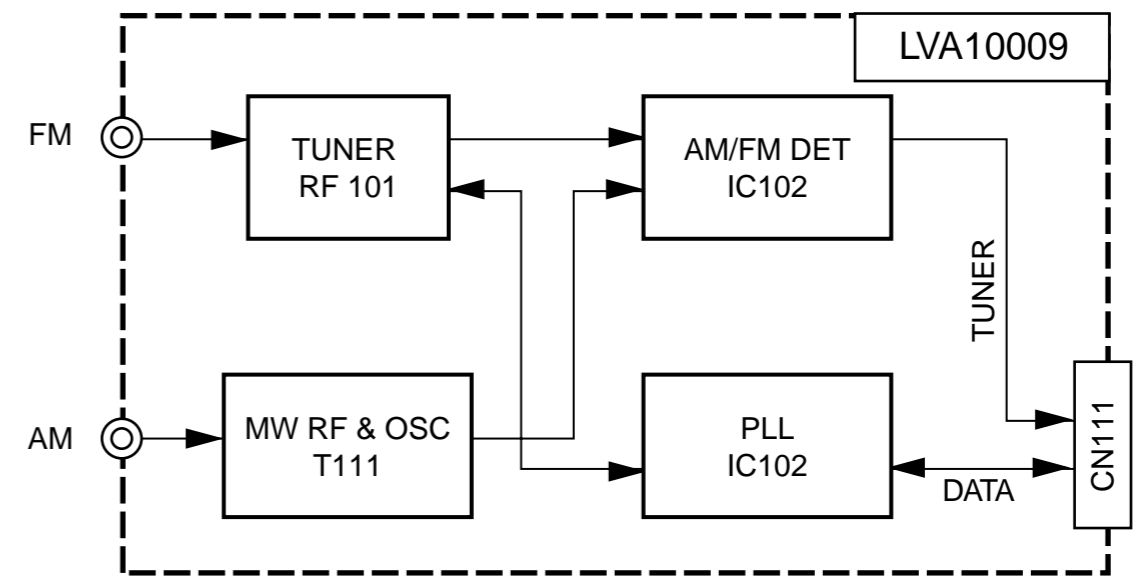
■ Audio input section



■ System control & FL section



■ Tuner section

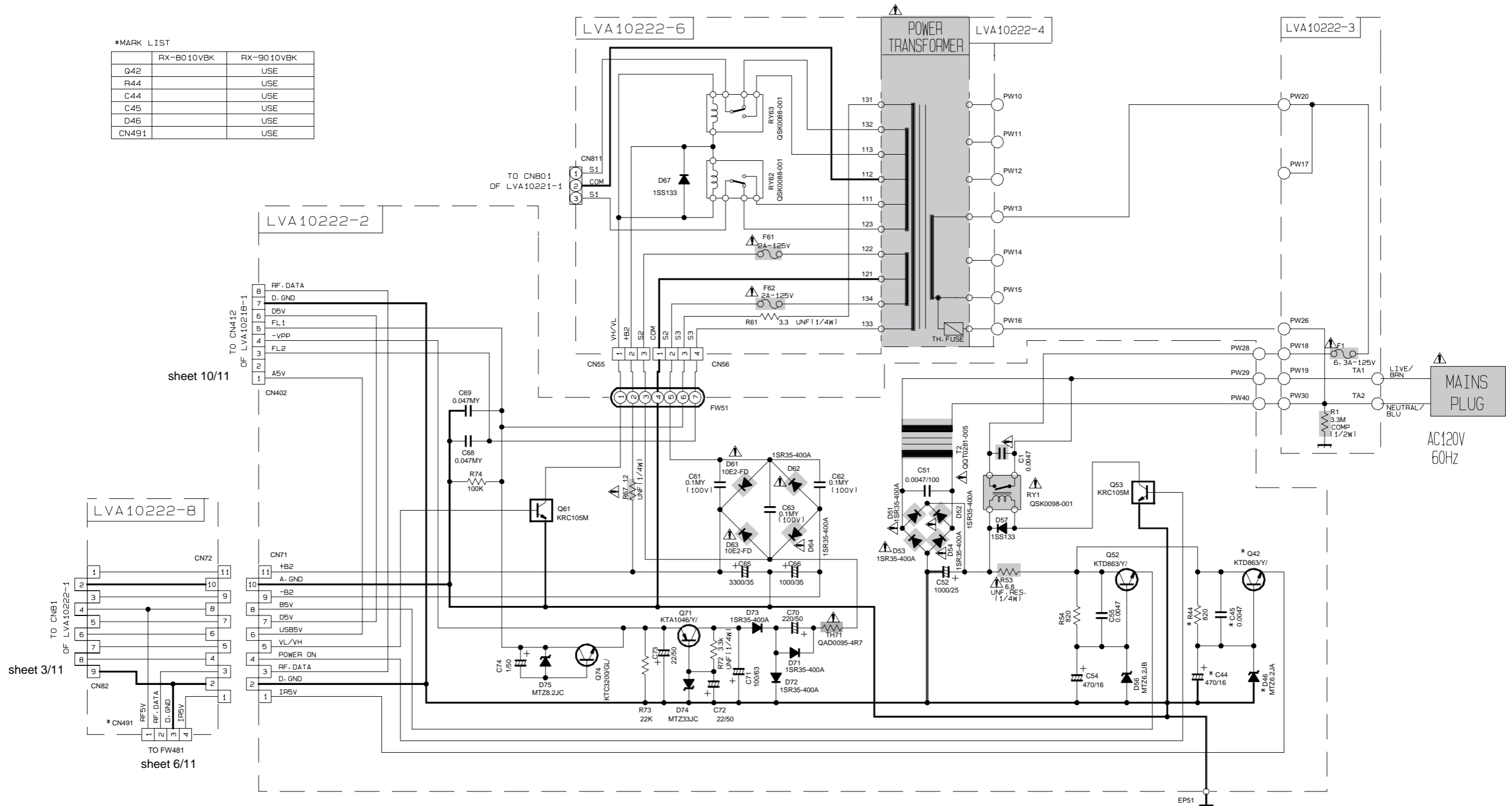


Standard schematic diagrams

Power supply section

*MARK LIST

	RX-8010VBK	RX-9010VBK
Q42		USE
R44		USE
C44		USE
C45		USE
D46		USE
CN491		USE



SHEET NUMBER	CIRCUIT DESCRIPTION
1/11	POWER SUPPLY
2/11	MAIN
3/11	AUDIO
4/11	AUDIO SIGNAL INPUT
5/11	VIDEO SIGNAL INPUT
6/11	VOLUME COMPONENT
7/11	AUDIO AMP (FRONT CHANNEL)
8/11	AUDIO AMP (CENTER, REAR CHANNEL)
9/11	DSP
10/11	SYSTEM CONTROL
11/11	TUNER

Parts are safety assurance parts. When replacing those parts make sure to use the specified one.

■ Main & Speaker terminal section

5
4
3
2
1

sheet 1/11

sheet 8/11

sheet 7/11

sheet 6/11

sheet 7/11

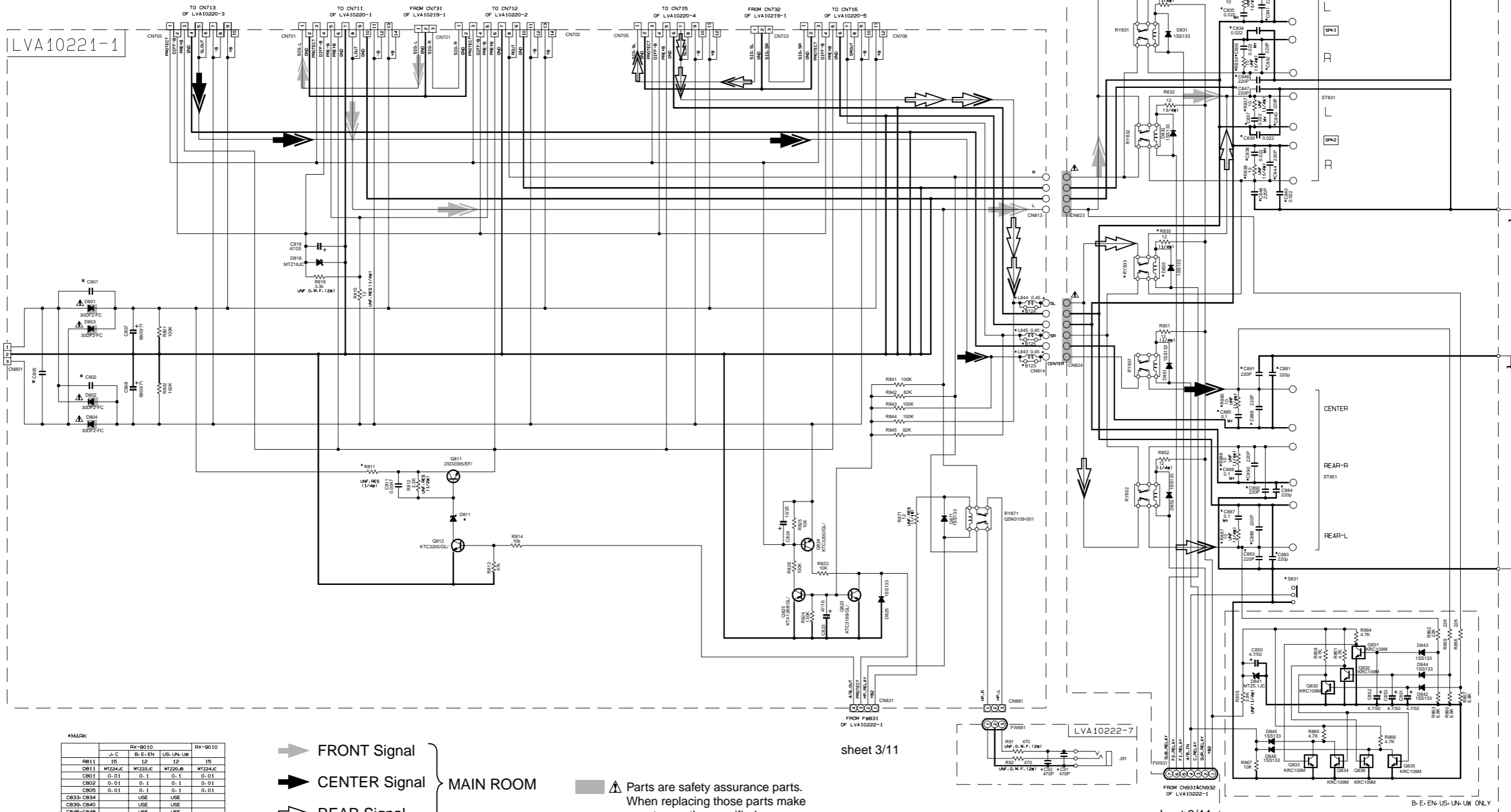
sheet 8/11

sheet 6/11

sheet 8/11

LVA10221-2

LVA10221-1



*MARK

	RX-8010		RX-9010	
J.C	B-E-EN	US-UN-UM	J.C	B-E-EN
R811	15	12	15	15
D811	MIZ24-C	MIZ24-C	MIZ24-B	MIZ24-C
C801	0.1	0.1	0.1	0.1
C802	0.1	0.1	0.1	0.1
C805	0.1	0.1	0.1	0.1
C833-C834	USE	USE		
C839-C840	USE	USE		
C849-C848	USE	USE		
C841-C844	USE	USE		
R833-R834	USE	USE		
R837-R838	USE	USE		
C839-C838	USE	USE		
C881	USE	USE		
C891	USE	USE		
C885	USE	USE		
R895	USE	USE		
C889	USE	USE		
C883-C884	USE	USE		
C892-C893	USE	USE		
C889-C890	USE	USE		
R887-R888	USE	USE		
C887-C888	USE	USE		
RY833			USE	
R835			USE	
D835			USE	
C81-C82	USE	USE		
L843-L845	USE	USE		
B123-B125	USE	USE		

- ➡ FRONT Signal
 - ➡ CENTER Signal
 - ➡ REAR Signal
 - ➡ SUB ROOM Signal
- MAIN ROOM

⚠ Parts are safety assurance parts. When replacing those parts make sure to use the specified one.

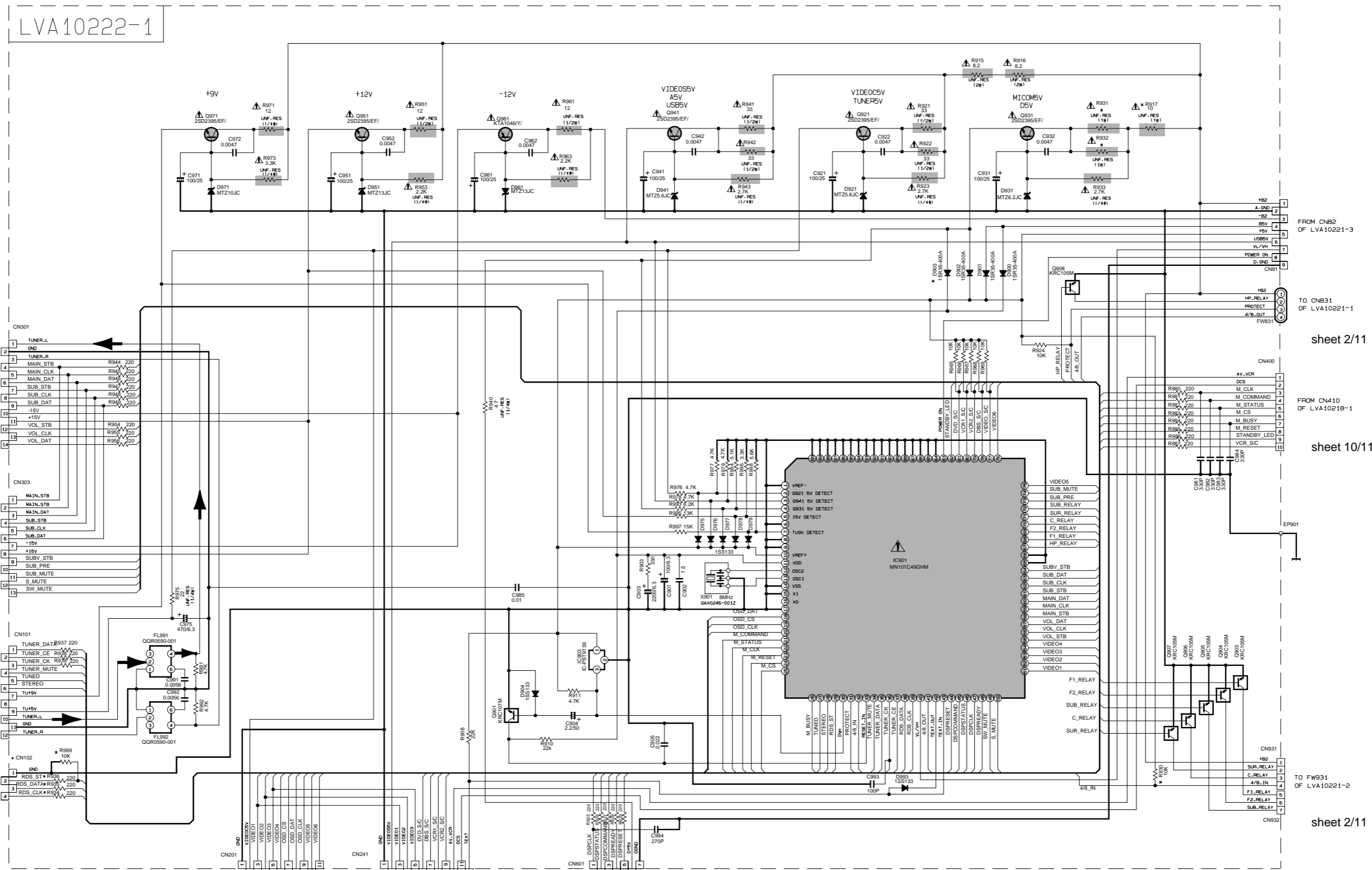
LVA10222-7

sheet 3/11

sheet 3/11

B-E-EN-US-UN-UM ONLY

Audio section



5

4

3

2

1

TO CN314
OF LVA10219-2
sheet 4/11

TO CN313
OF LVA10219-3
sheet 4/11

sheet 11/11

sheet 11/11

TO CN200
OF LVA10219-4
sheet 5/11

TO CN240
OF LVA10219-5
sheet 5/11

TO CN57
OF LVA10223
sheet 6/11

FROM CNB2
OF LVA10221-3

TO CNB31
OF LVA10221-1

sheet 2/11

FROM CN410
OF LVA10218-1

sheet 10/11

TO FW931
OF LVA10221-2

sheet 2/11

*MARK

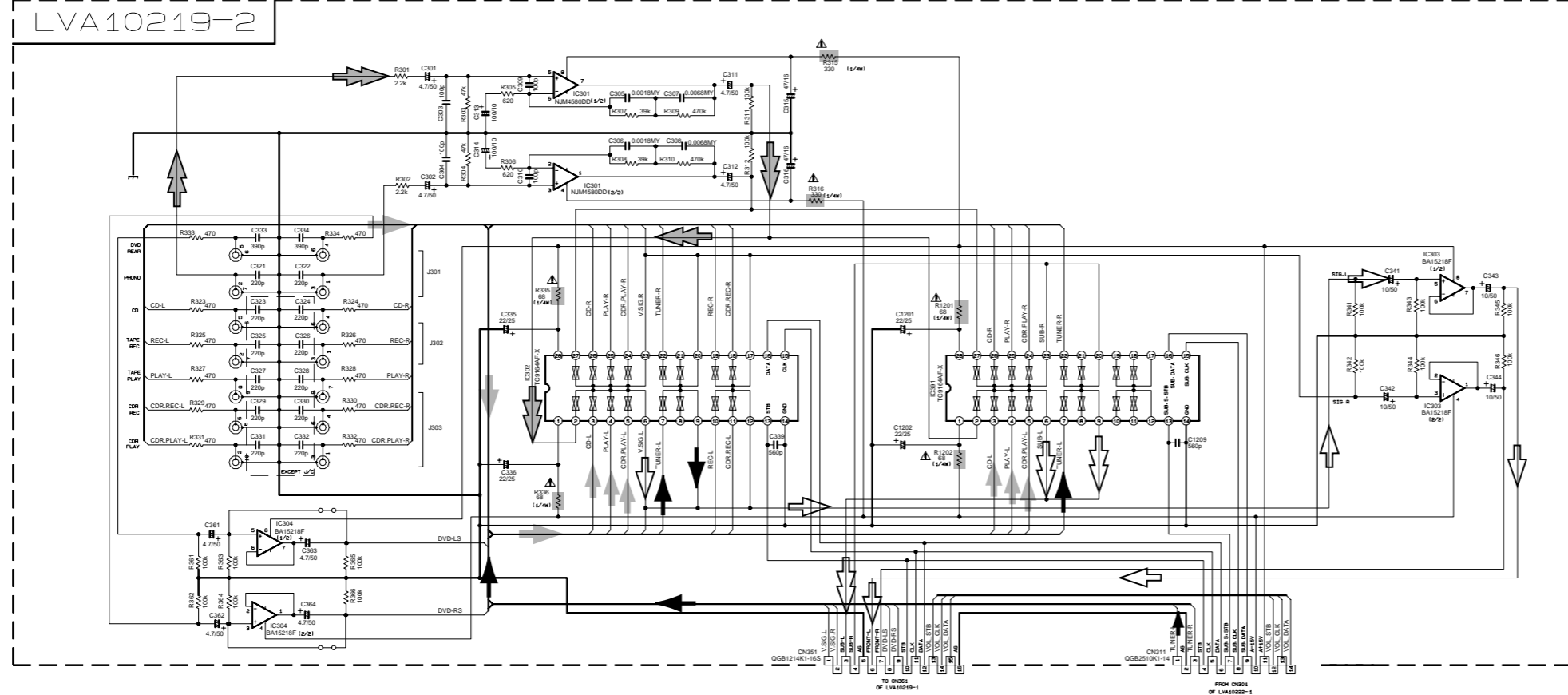
	J. C	Rx-B010	US-UN-UN	Rx-9010
R930	USE	B-E-EN		USE
R999	USE		USE	USE
R934	USE			
R935	USE			
R936	USE			
CN102	USE			
R917	SHORT	SHORT	USE	SHORT
R931	43	43	43	39
R932	43	43	43	39
D903				USE

➔ TUNER Signal

⚠ Parts are safety assurance parts.
When replacing those parts make
sure to use the specified one.

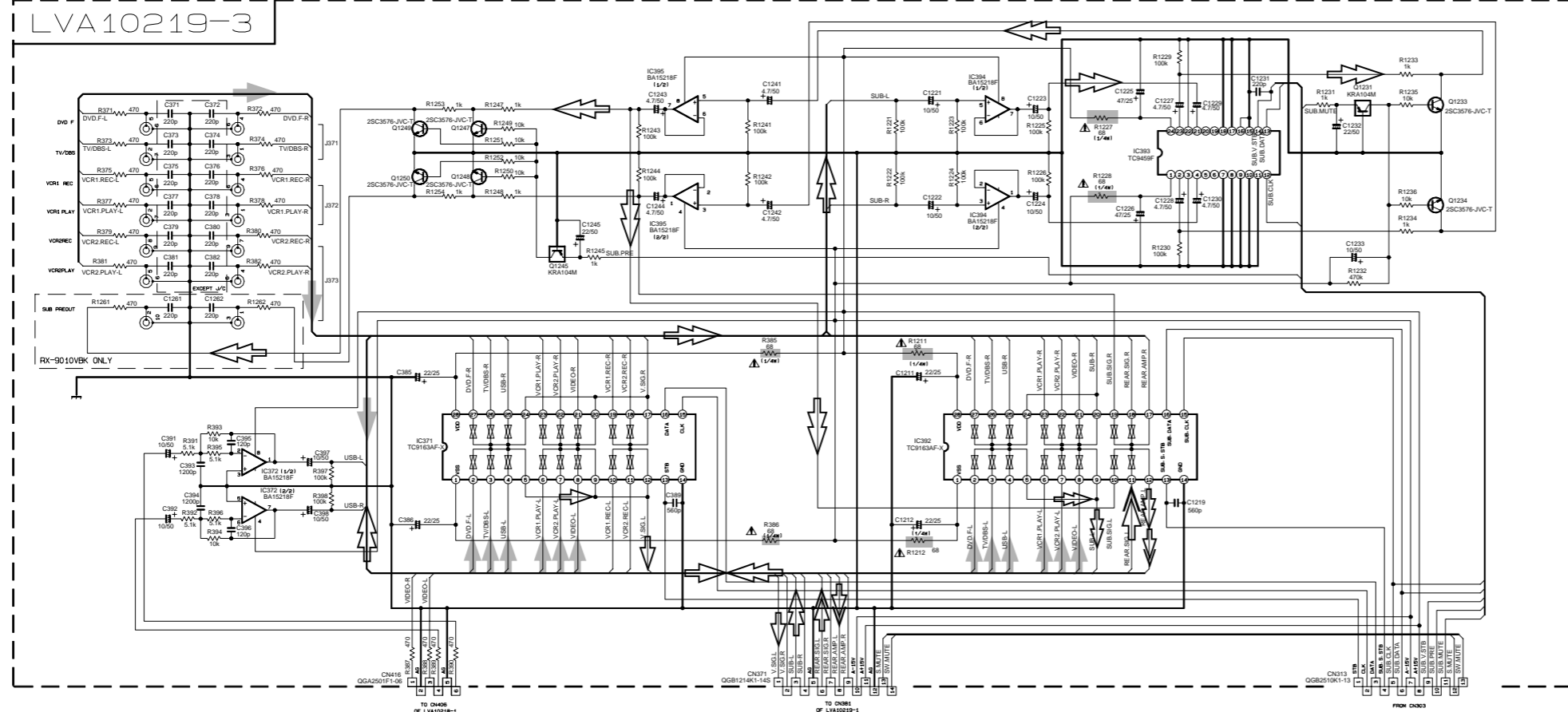
■ Audio / V Audio signal input section

5



4

3



2

1

sheet 6/11

sheet 3/11

sheet 10/11

sheet 6/11

sheet 2/11

- AUDIO Signal
- TUNER Signal
- PHONO Signal
- REAR Signal
- SUB ROOM Signal
- MAIN ROOM Signal
- Parts are safety assurance parts. When replacing those parts make sure to use the specified one.

Video / S video signal input section

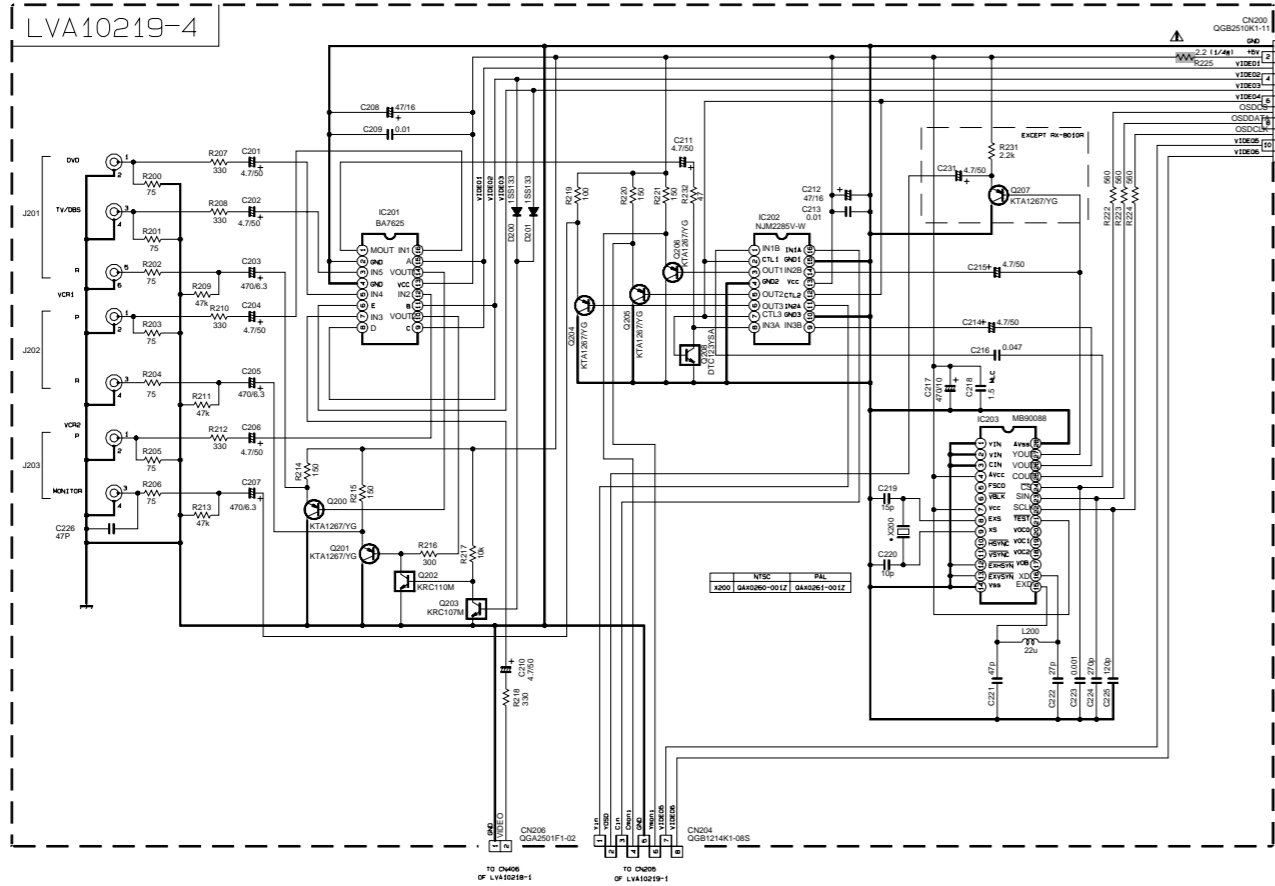
5

4

3

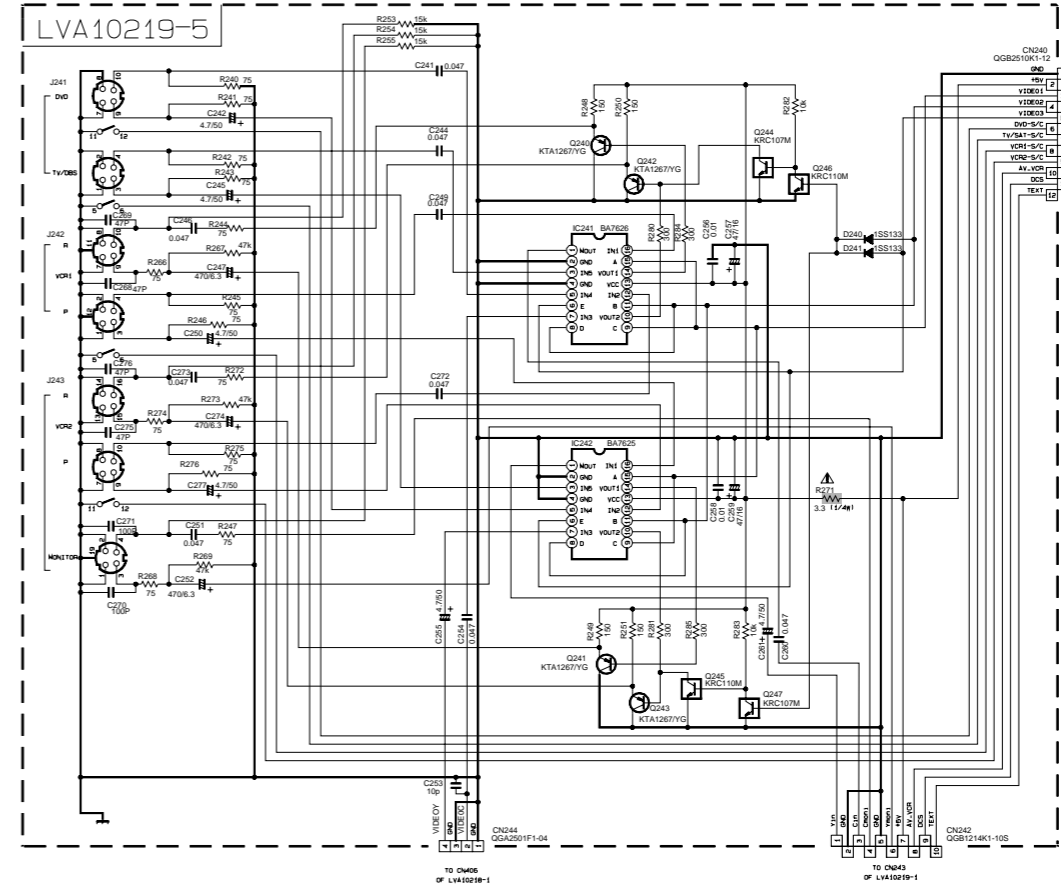
2

1



sheet 10/11 sheet 6/11

sheet 3/11



sheet 10/11

sheet 6/11

sheet 3/11

⚠ Parts are safety assurance parts.
When replacing those parts make sure to use the specified one.

VOLUME/ COMPONENT section

5

sheet 1/11

4

sheet 5/11

sheet 5/11

3

sheet 9/11

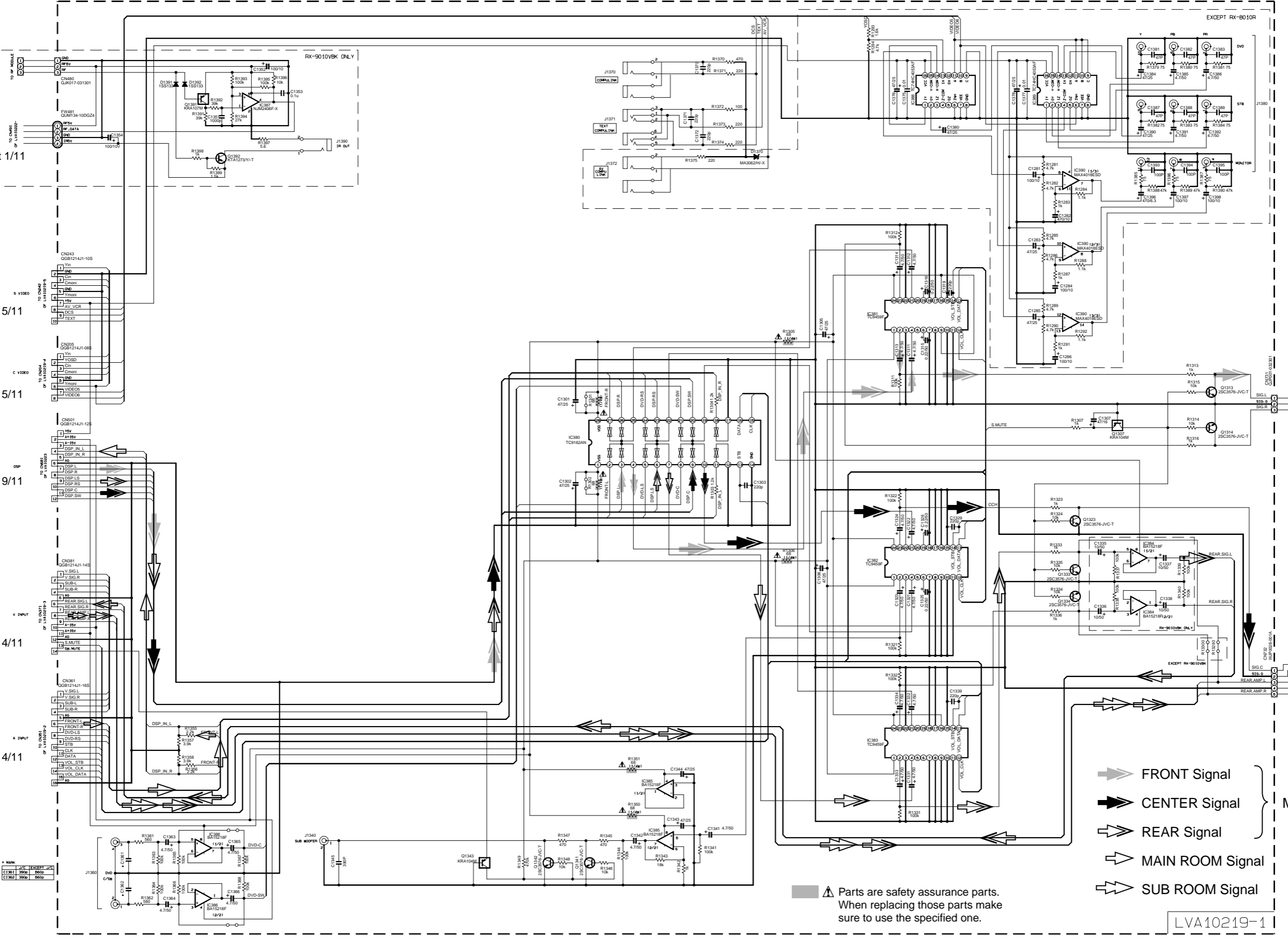
2

sheet 4/11

sheet 4/11

1

MARK	EXCEPT 2K
C1361	390K
C1362	390K
	660K

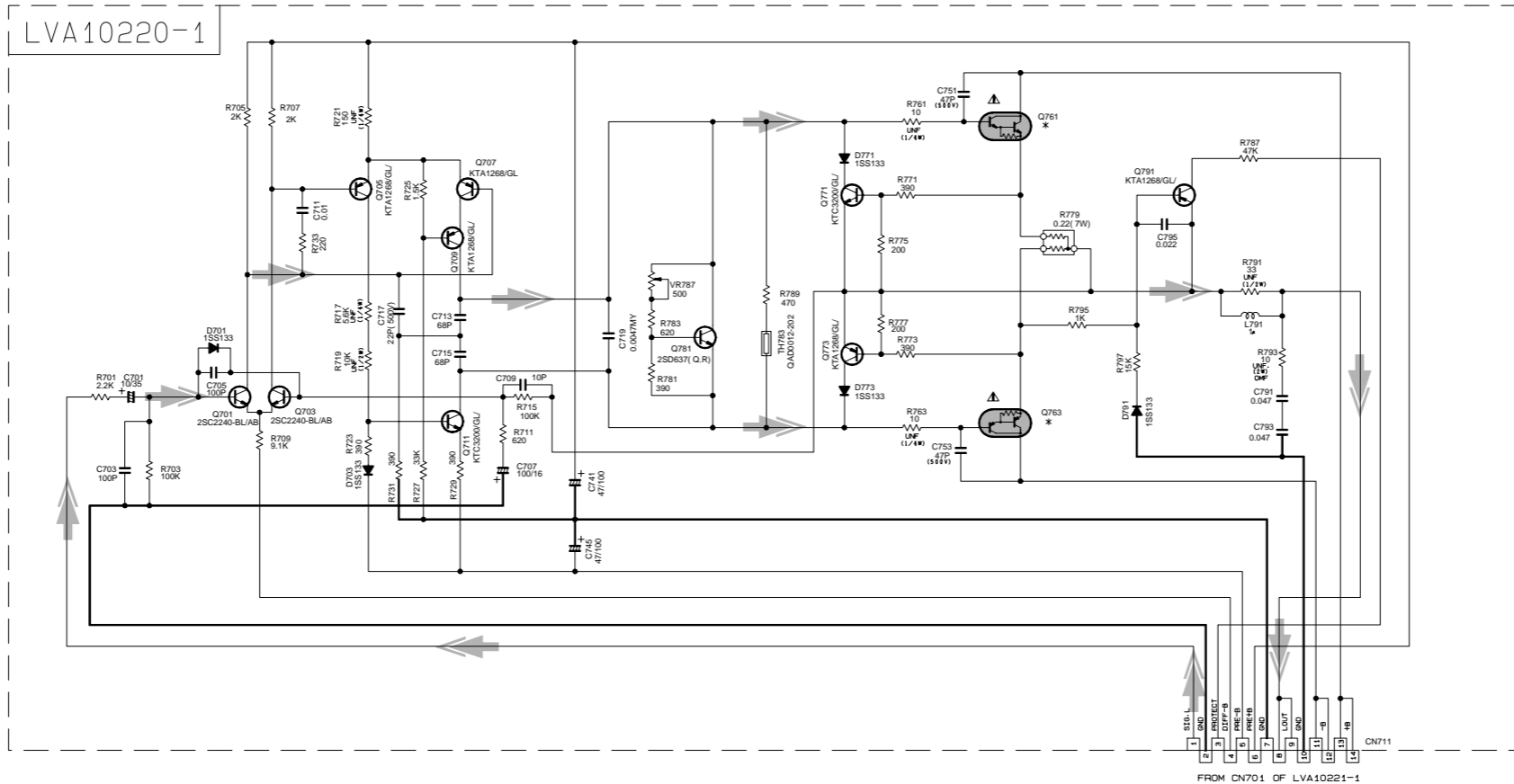


- ➡ FRONT Signal
- ➡ CENTER Signal
- ➡ REAR Signal
- ➡ MAIN ROOM Signal
- ➡ SUB ROOM Signal

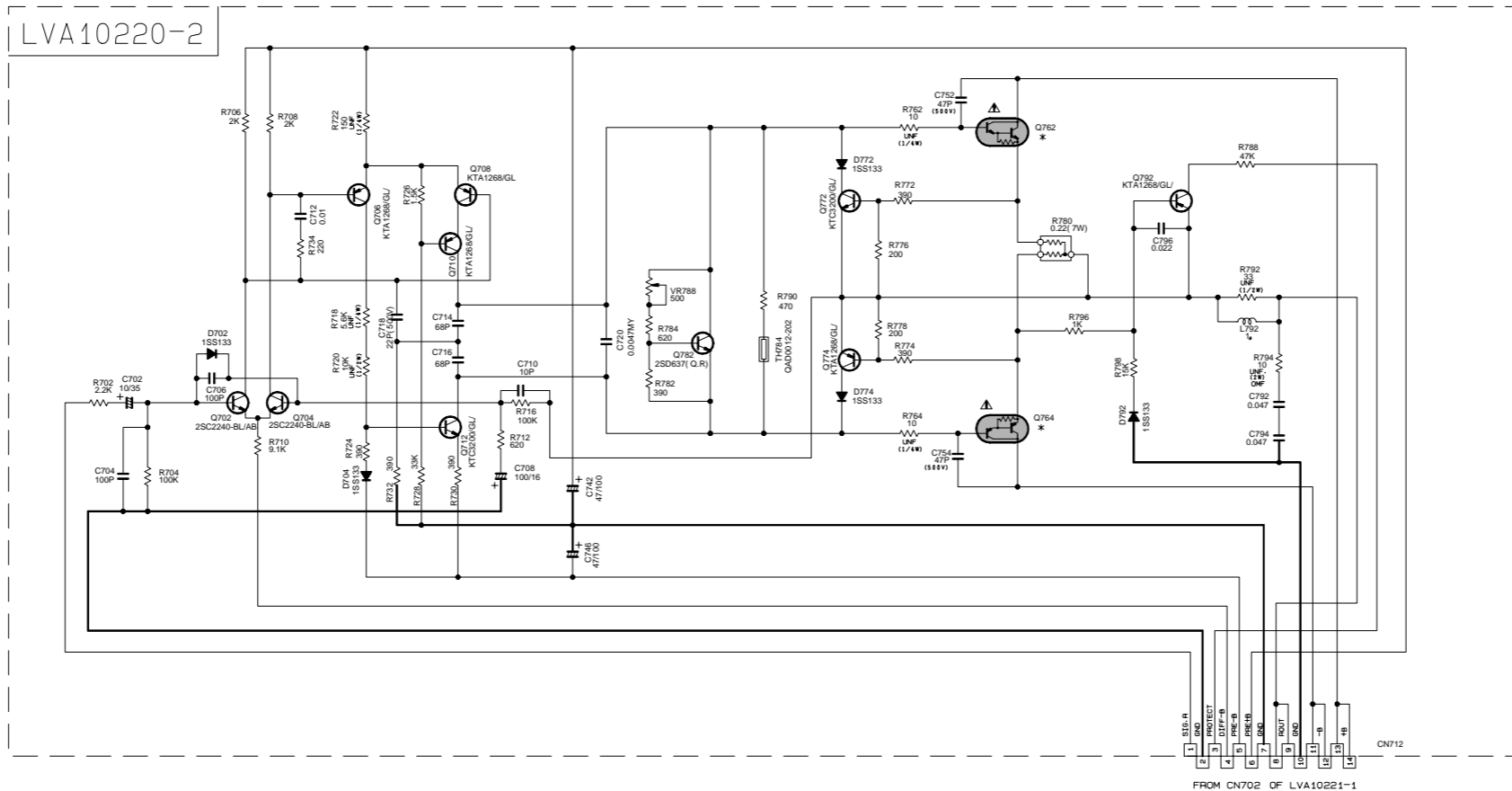
⚠ Parts are safety assurance parts. When replacing those parts make sure to use the specified one.

LVA10219-1

Audio amplifier section (1/2)



FROM CN701 OF LVA10221-1
sheet 2/11



FROM CN702 OF LVA10221-1
sheet 2/11

*MARK

	RX-8010		RX-9010	
	B	E	LN	UM
Q761-Q762	2SD2390/OPV/-F6	2SD2560/OPV/-F6	2SD2560/OPV/-F6	2SD2560/OPV/-F6
Q763-Q764	2SB1550/OPV/-F6	2SB1647/OPV/-F6	2SB1647/OPV/-F6	2SB1647/OPV/-F6

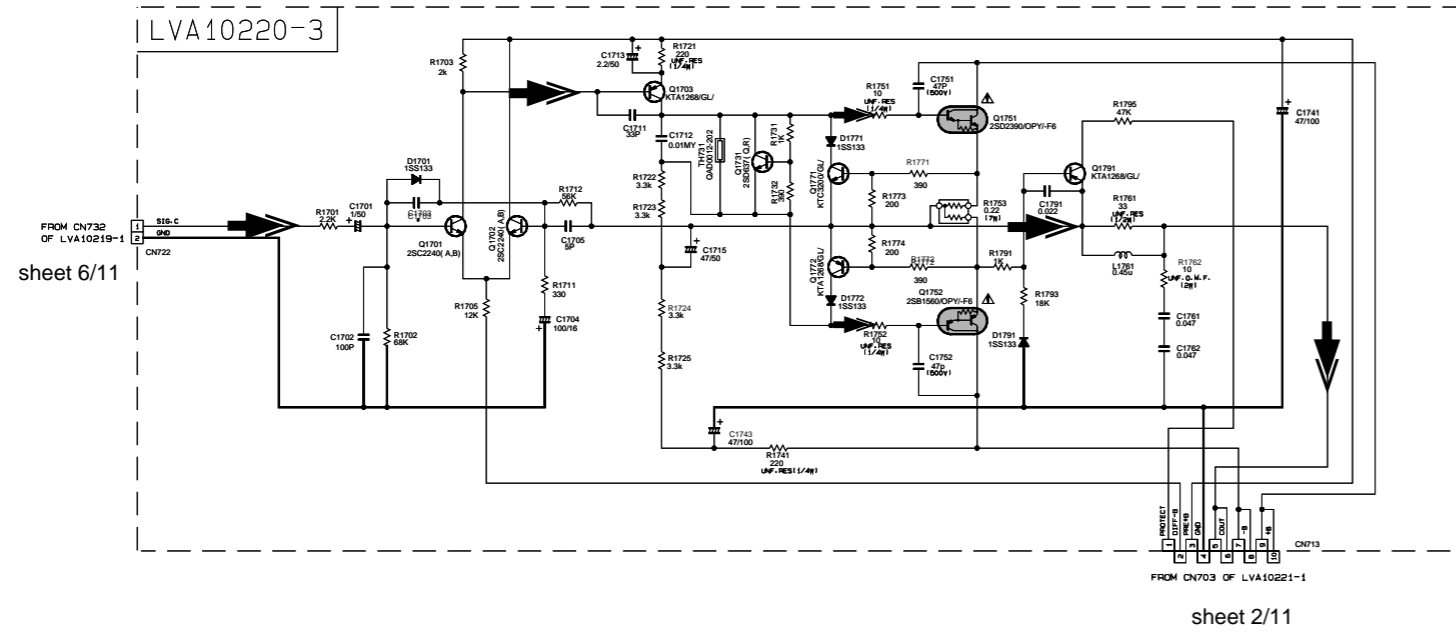
➔ FRONT Signal

⚠ Parts are safety assurance parts. When replacing those parts make sure to use the specified one.

5
4
3
2
1

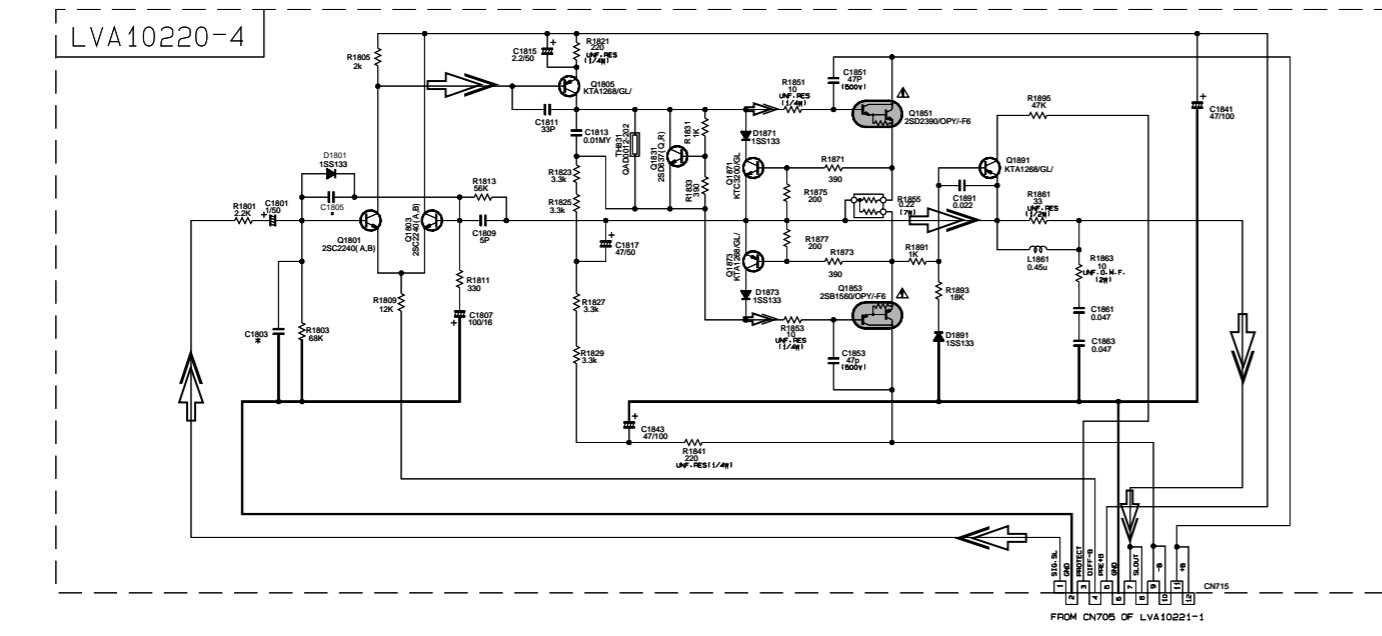
A B C D E F G H

■ Audio amplifier section (2/2)

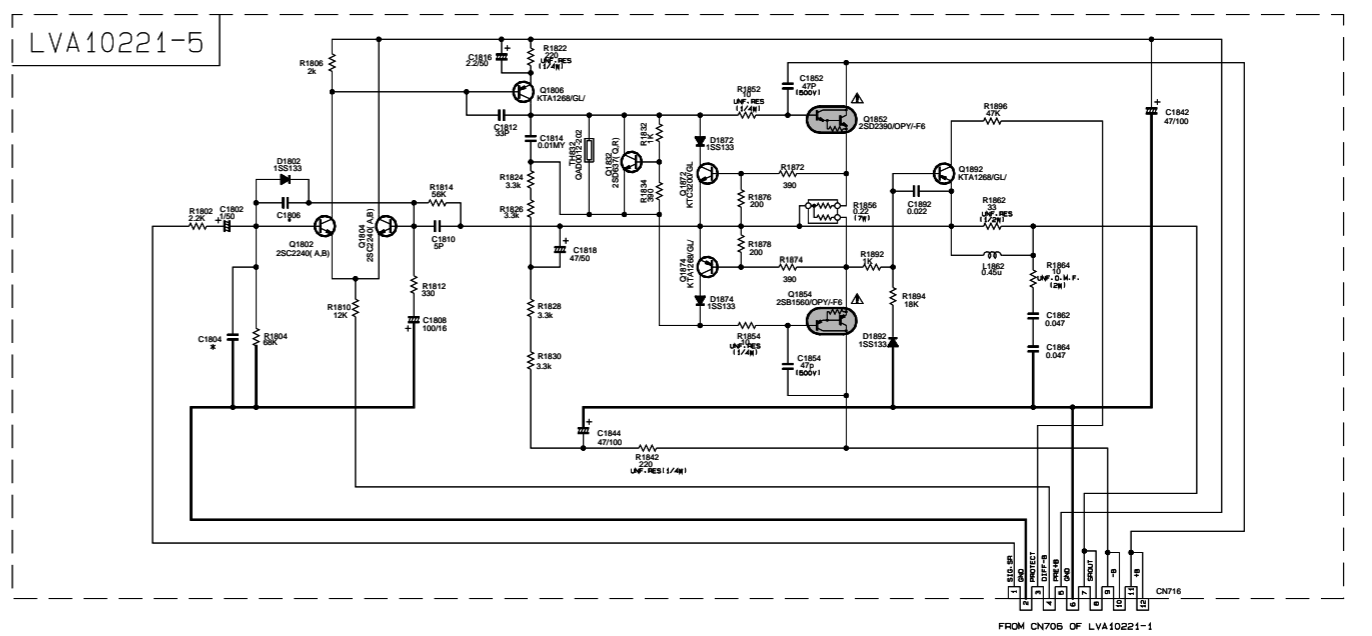


➡ CENTER Signal
 ➡ REAR/ SUB ROOM Signal
 ⚠ Parts are safety assurance parts. When replacing those parts make sure to use the specified one.

sheet 2/11



sheet 2/11



sheet 2/11

*MARK

RX-9010	RX-9010
C1803, C1804	180P
	EXCEPT
C1703, C1805, C1806	100P
	220P

DSP section

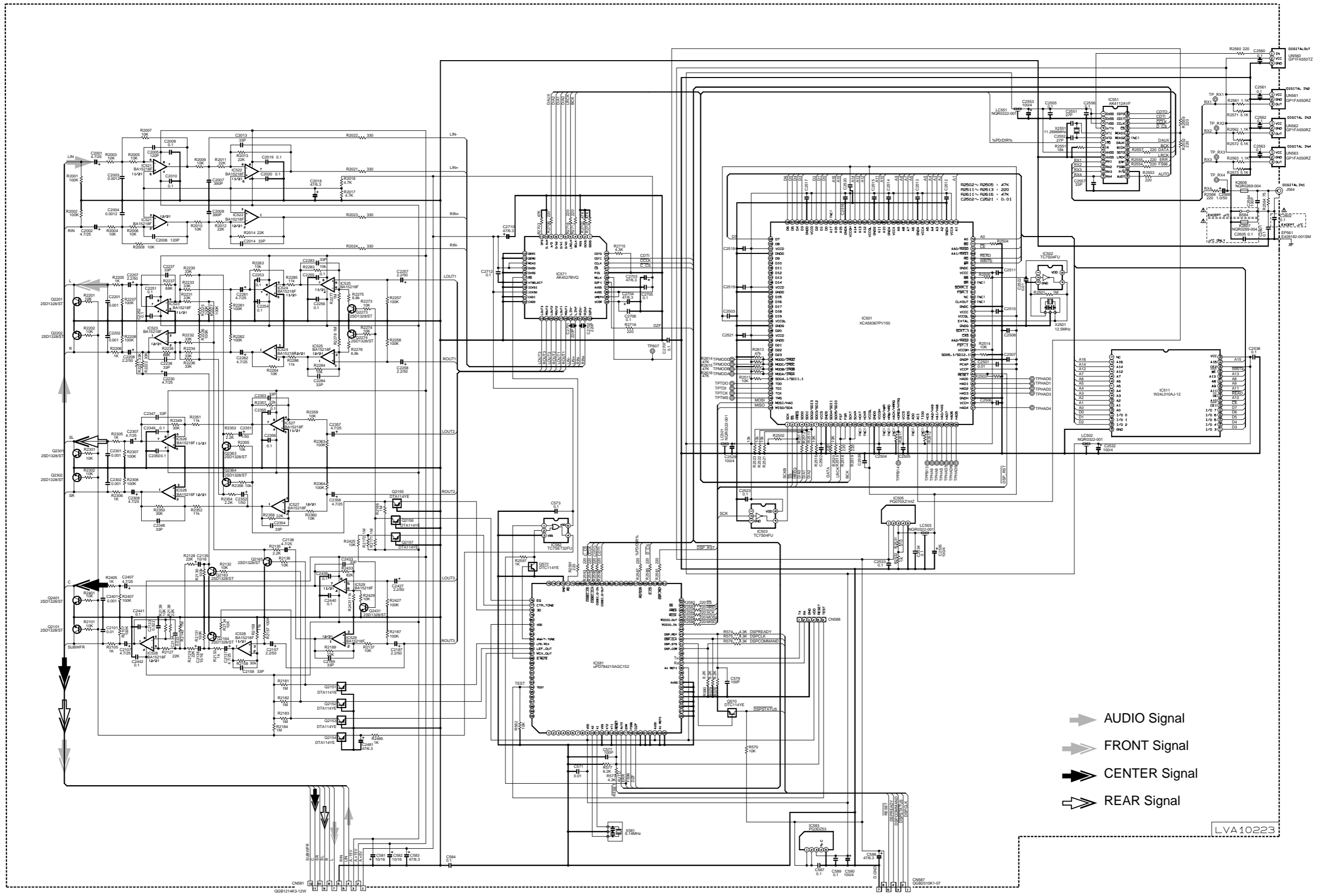
5

4

3

2

1



- AUDIO Signal
- FRONT Signal
- CENTER Signal
- REAR Signal

LVA 10223

System control & FL display section

LVA10218-1

sheet 1/11

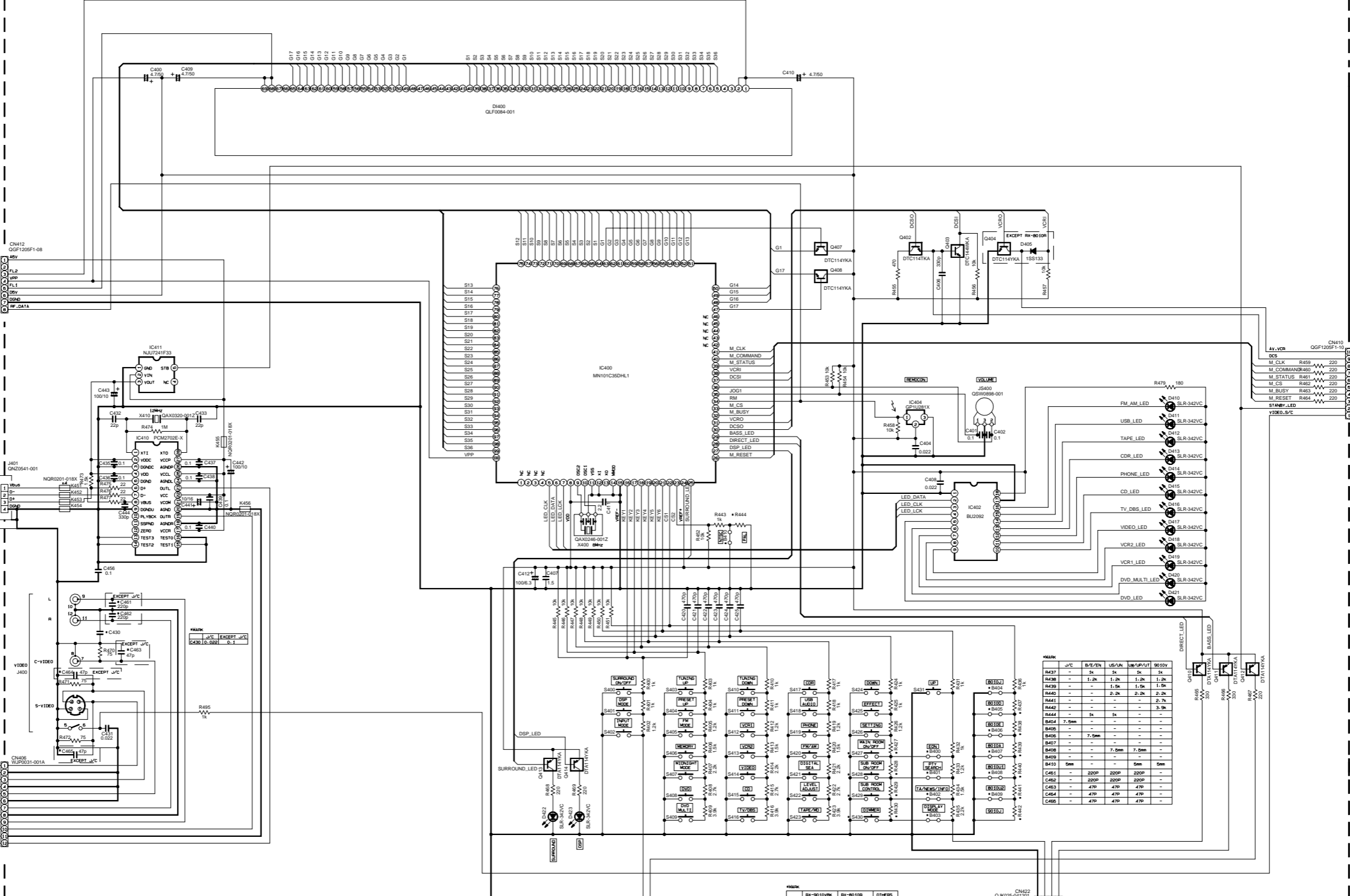
sheet 2/11

sheet 5/11 of LVA10219-9
sheet 5/11 of LVA10219-4
sheet 4/11 of LVA10219-3

LVA10218-2

LVA10218-3

SHEET 10/11



MAIN	EX-9010VBK	EX-9010S	OTHERS
S427	ON/OFF	ON/OFF	-
S428	ON/OFF	ON/OFF	-
S429	ON/OFF	ON/OFF	-
S430	ON/OFF	ON/OFF	-
S431	1.5k	1.5k	-
S432	2.2k	2.2k	-
S433	2.7k	2.7k	-
S434	3.3k	3.3k	-
S435	-	7.5m	-
S436	-	7.5m	-
S437	-	7.5m	-

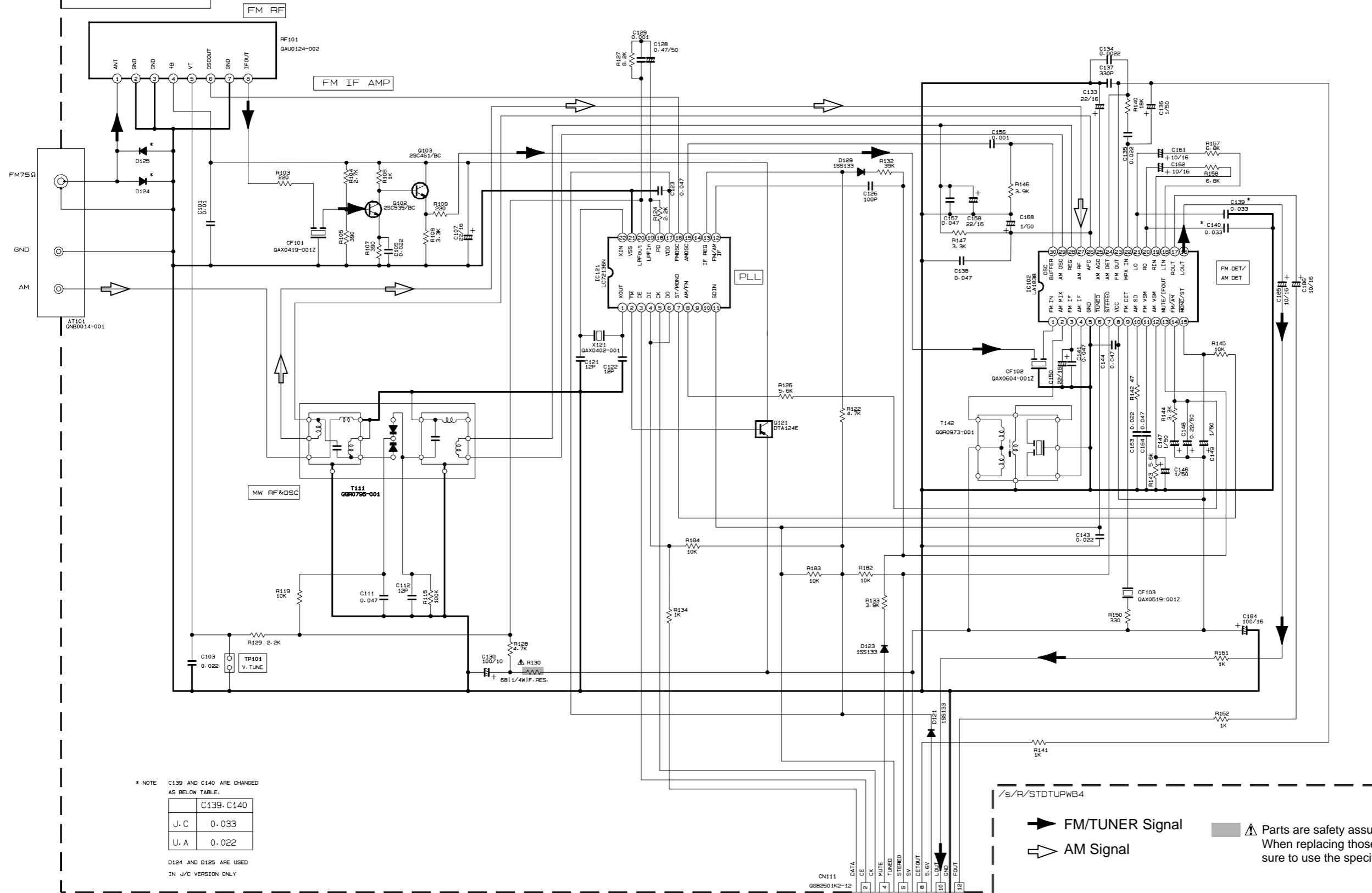
MAIN	JVC	B/E/EN	US/UK	UK/AP/PT	9010V
R437	-	1k	1k	1k	1k
R438	-	1.2k	1.2k	1.2k	1.2k
R439	-	1.5k	1.5k	1.5k	1.5k
R440	-	2.2k	2.2k	2.2k	2.2k
R441	-	-	-	-	2.7k
R442	-	-	-	-	3.3k
R443	-	1k	1k	-	-
R444	-	7.5m	-	-	-
R445	-	7.5m	-	-	-
R446	-	-	-	-	7.5m
R447	-	-	-	-	7.5m
R448	-	5m	-	-	5m
R449	-	200P	200P	200P	-
R450	-	200P	200P	200P	-
R451	-	47P	47P	47P	-
R452	-	47P	47P	47P	-
R453	-	47P	47P	47P	-

5
4
3
2
1

■ Tuner section

FOR J, C, U, A

LVA10009



* NOTE C139 AND C140 ARE CHANGED AS BELOW TABLE.

	C139	C140
J.C	0.033	
U.A	0.022	

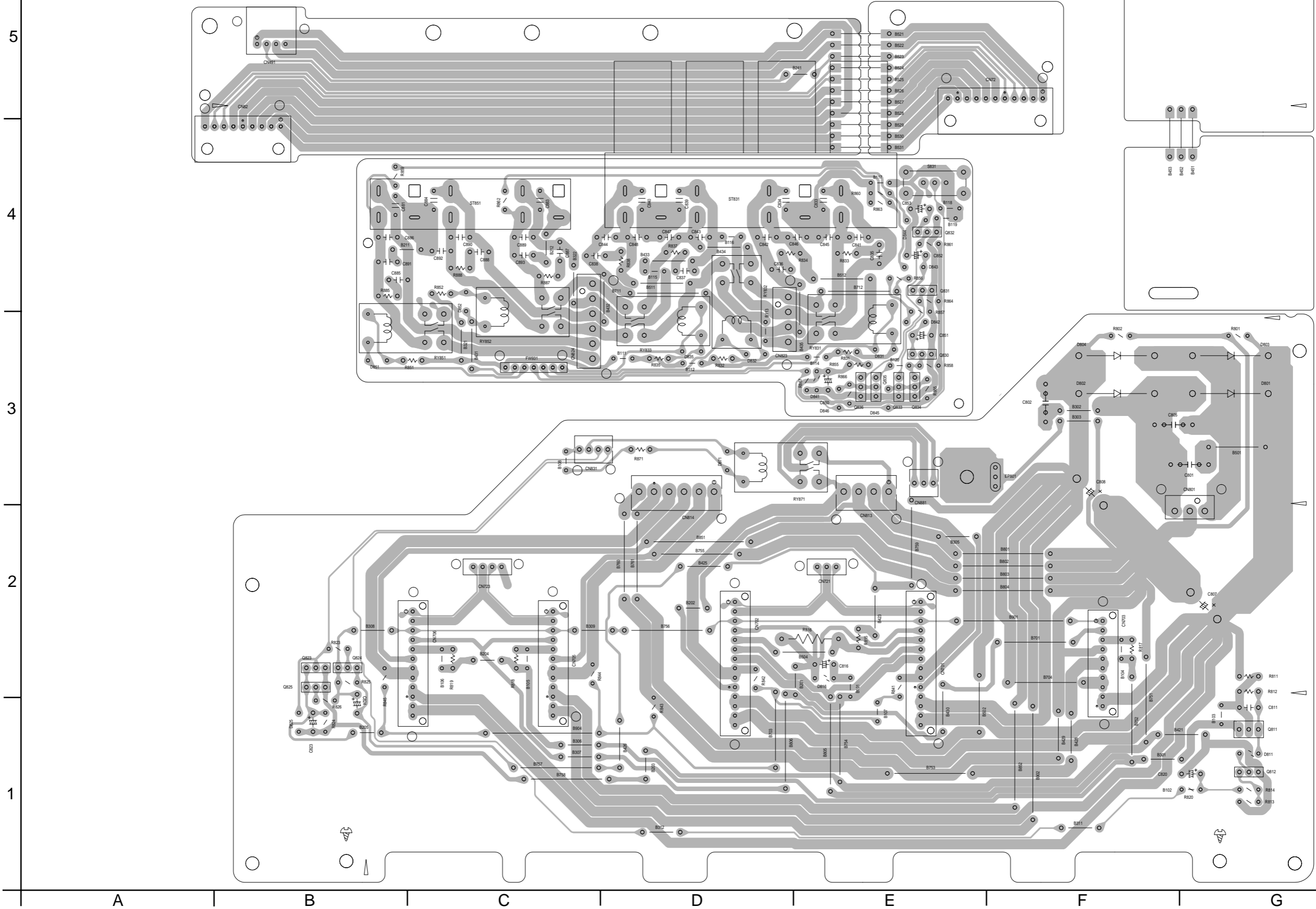
D124 AND D125 ARE USED IN J/C VERSION ONLY

➔ FM/TUNER Signal
➤ AM Signal

⚠ Parts are safety assurance parts. When replacing those parts make sure to use the specified one.

Printed circuit boards

■ Main board



RX-9010VBK

■ Micon board

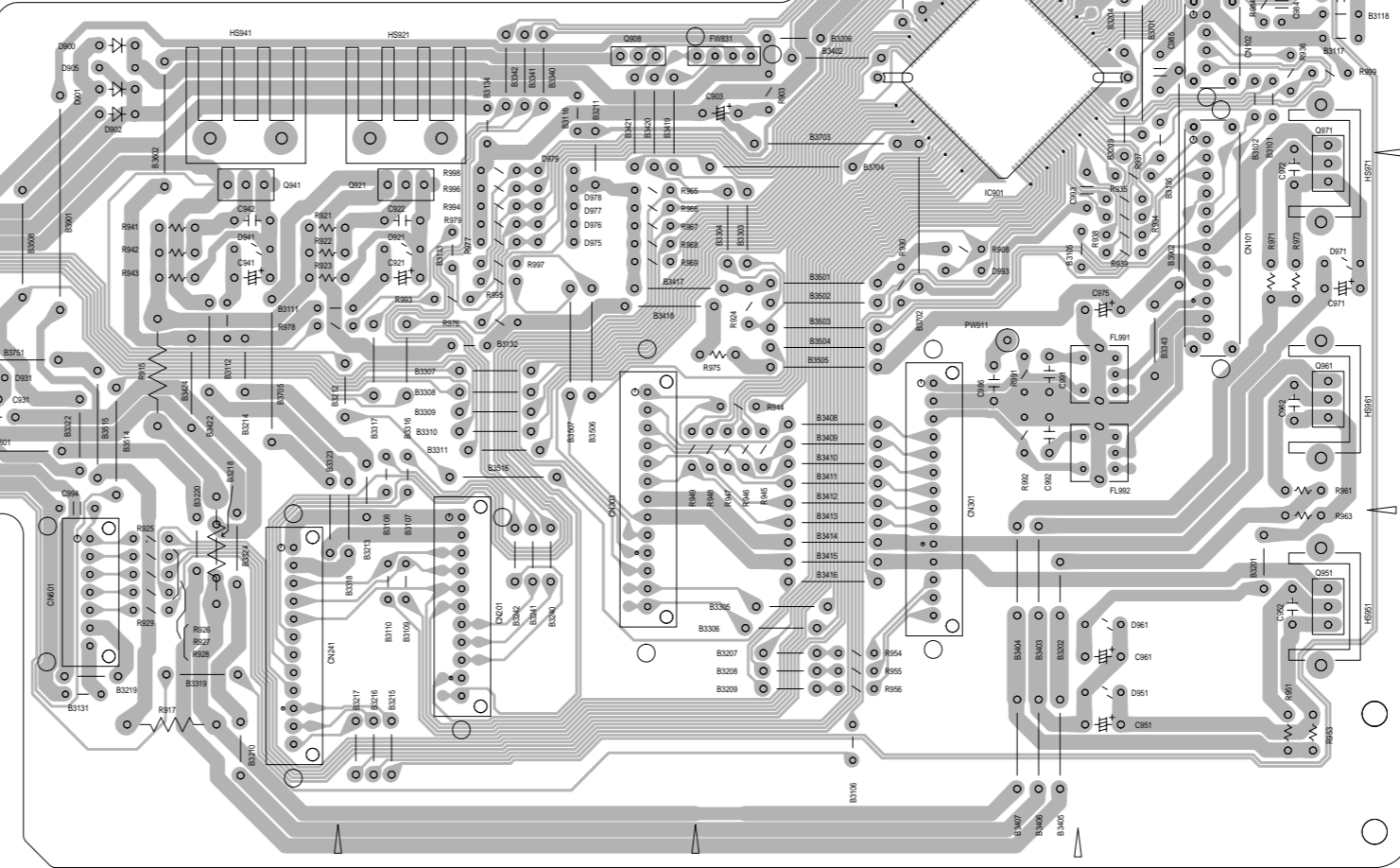
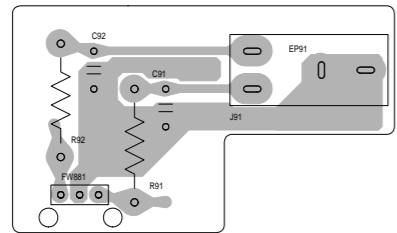
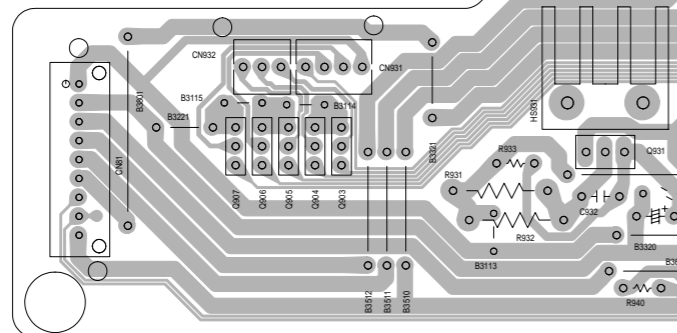
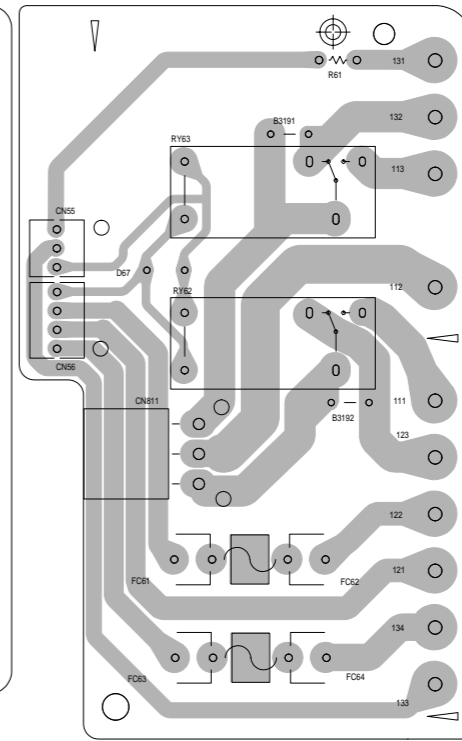
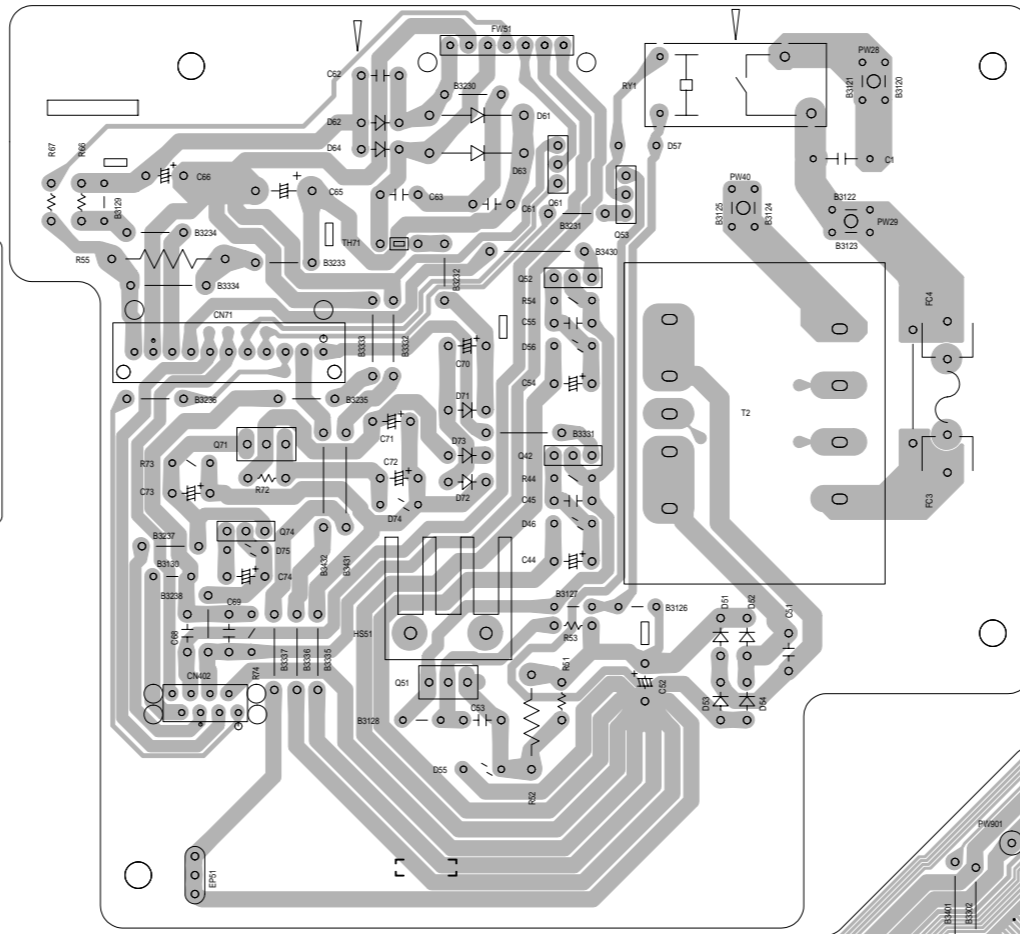
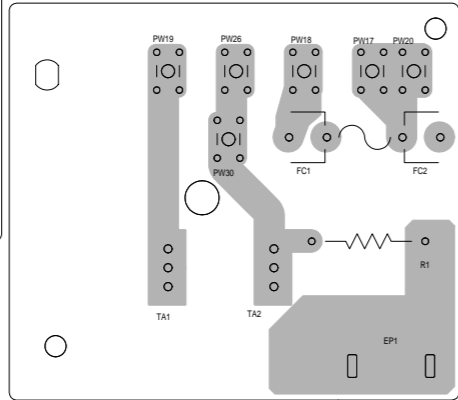
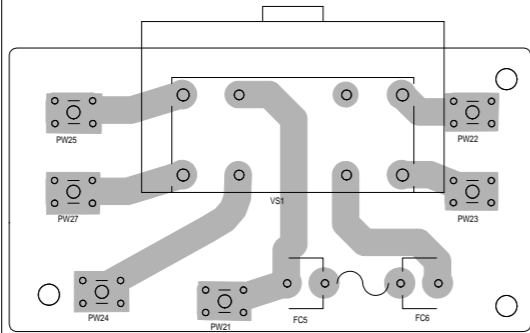
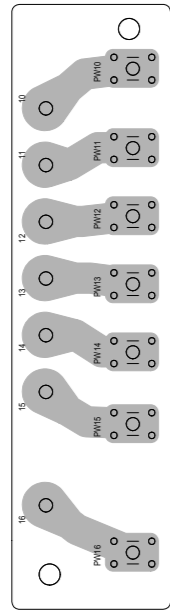
5

4

3

2

1



A

B

C

2-16 D

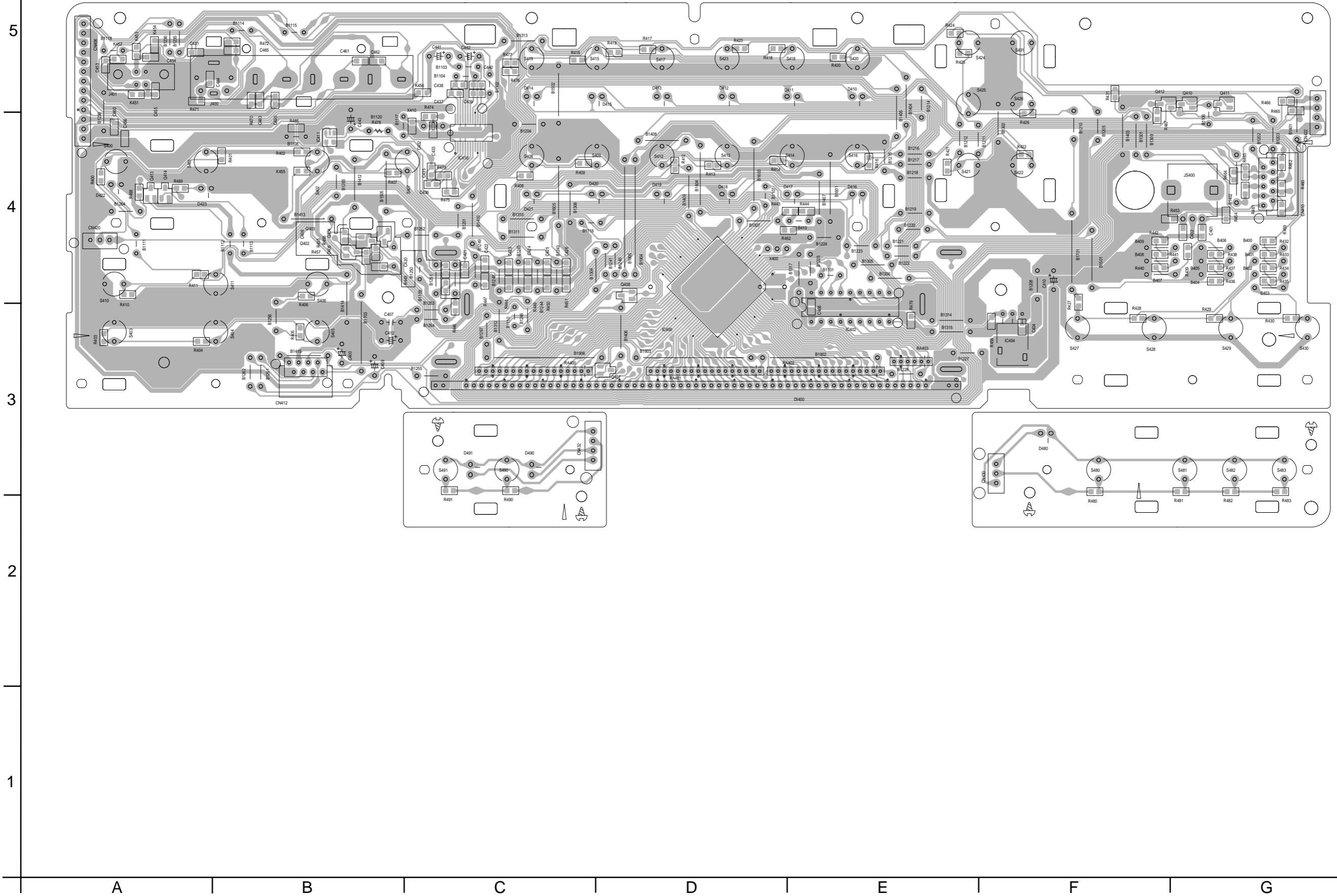
E

F

G

H

■ Front board



RX-9010VBK

■ Input board (Reverse side)

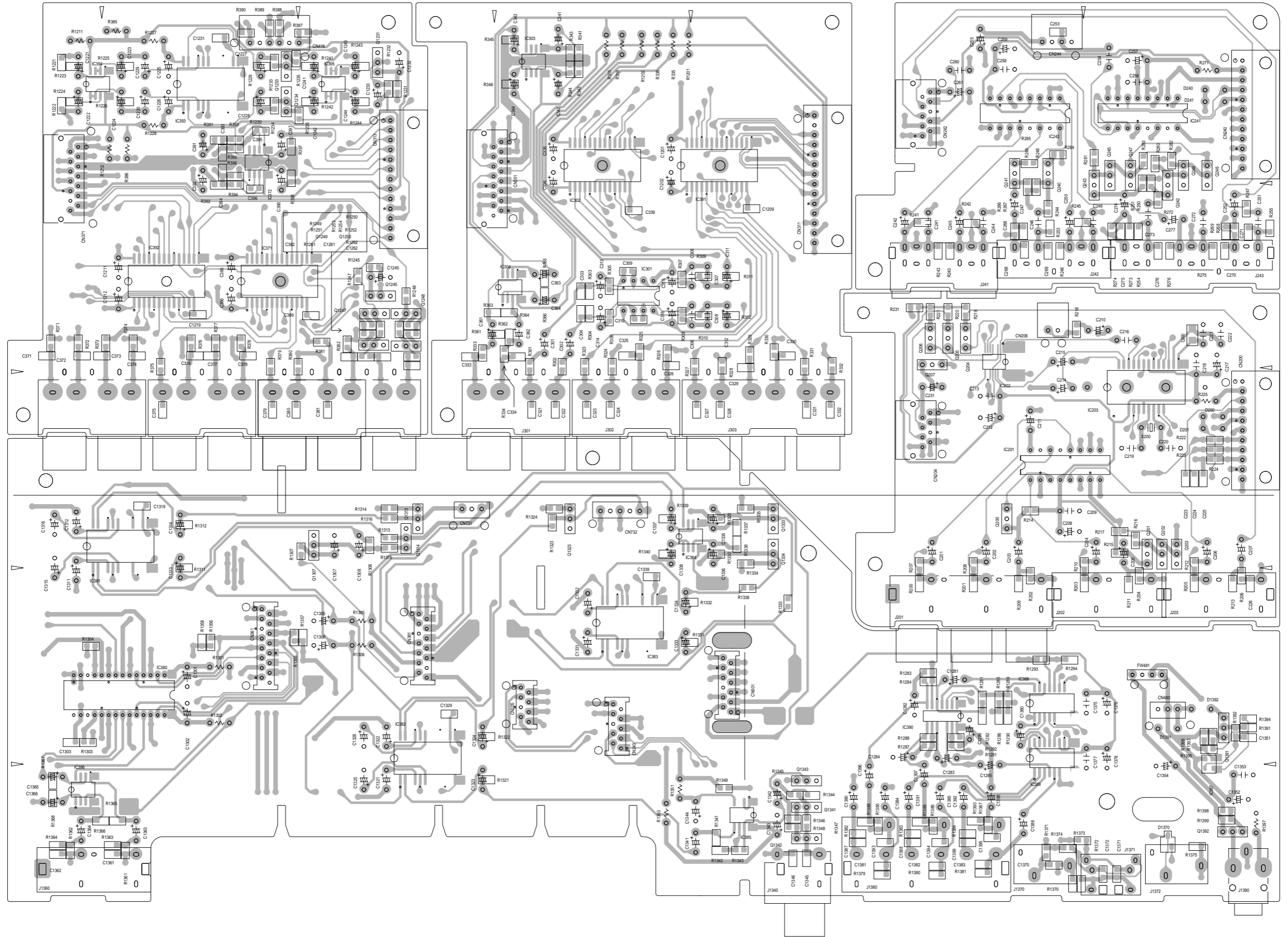
5

4

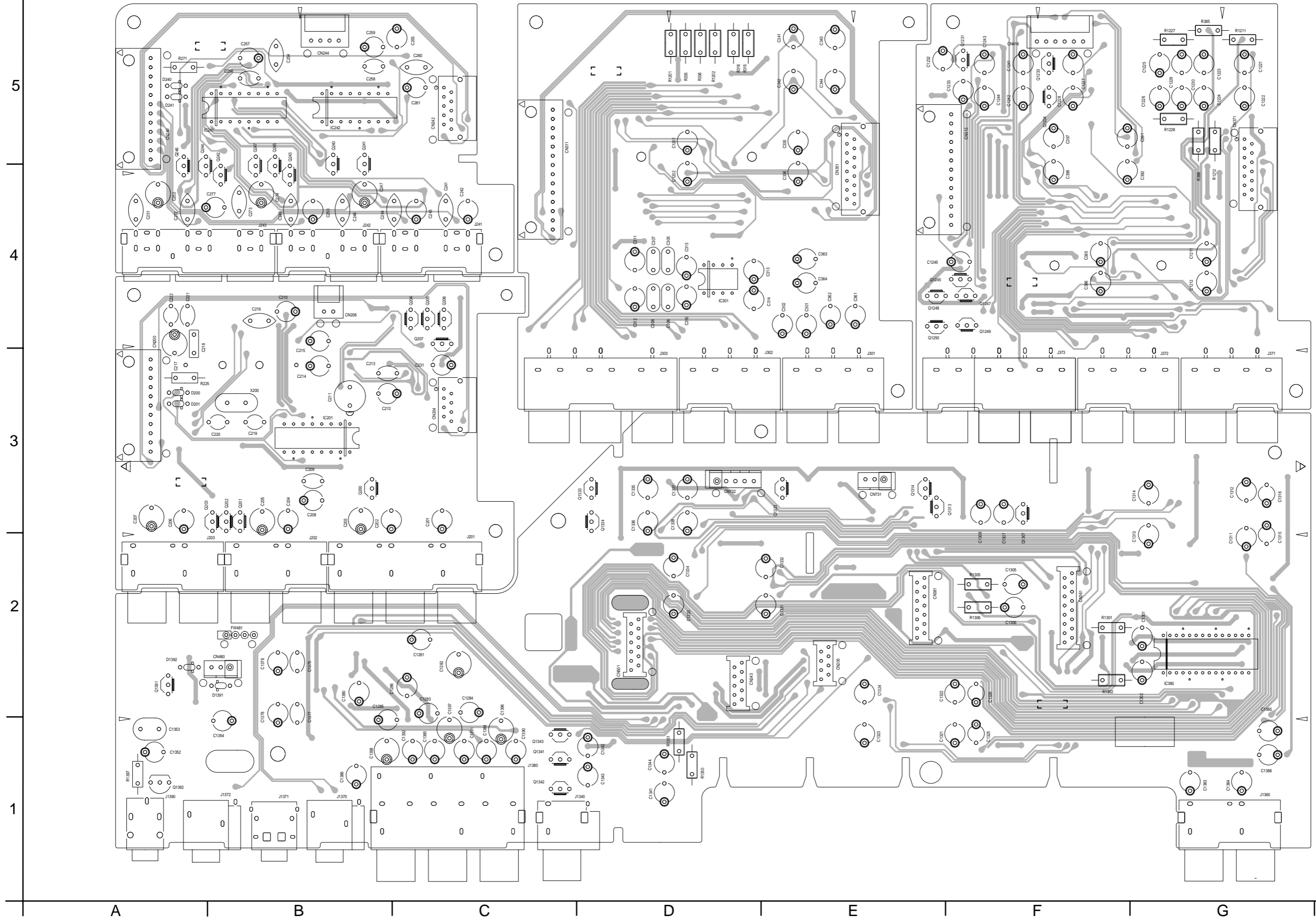
3

2

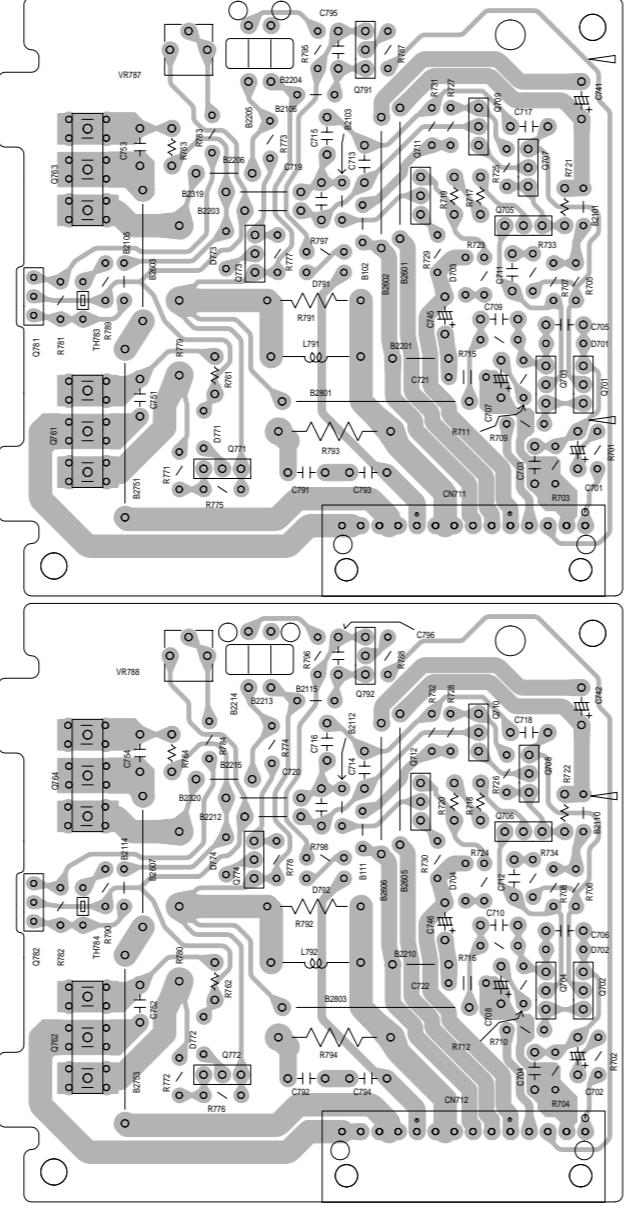
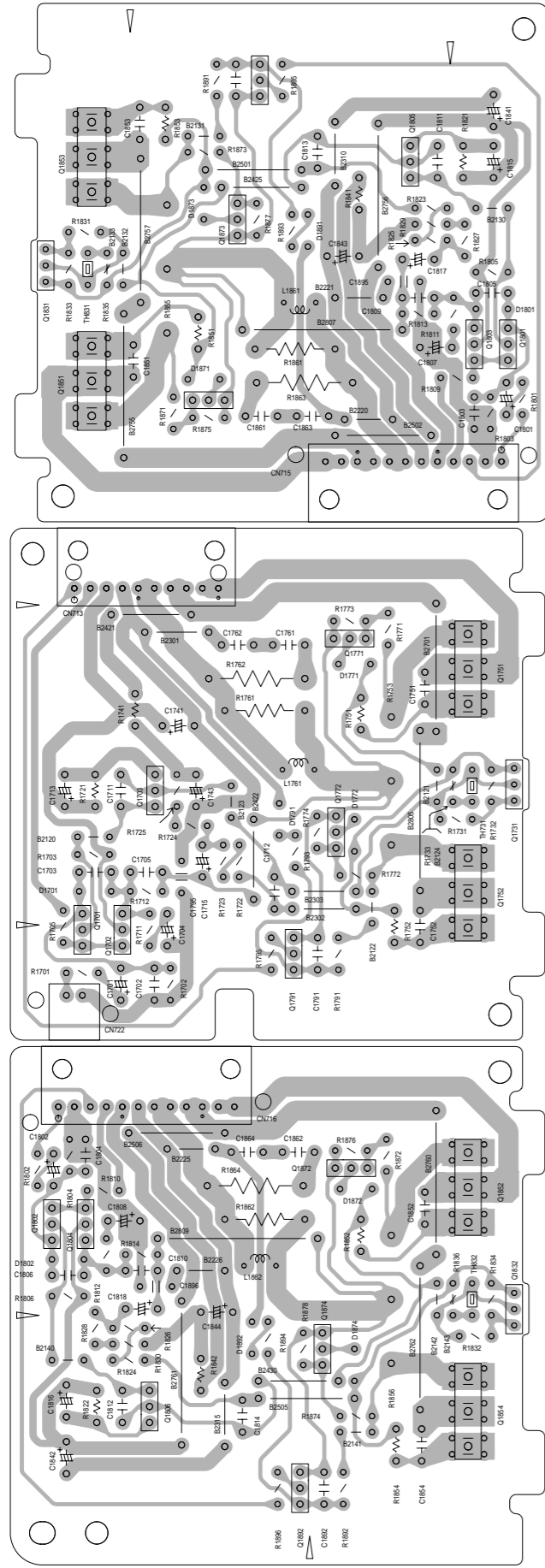
1



■ Input board (Forward side)

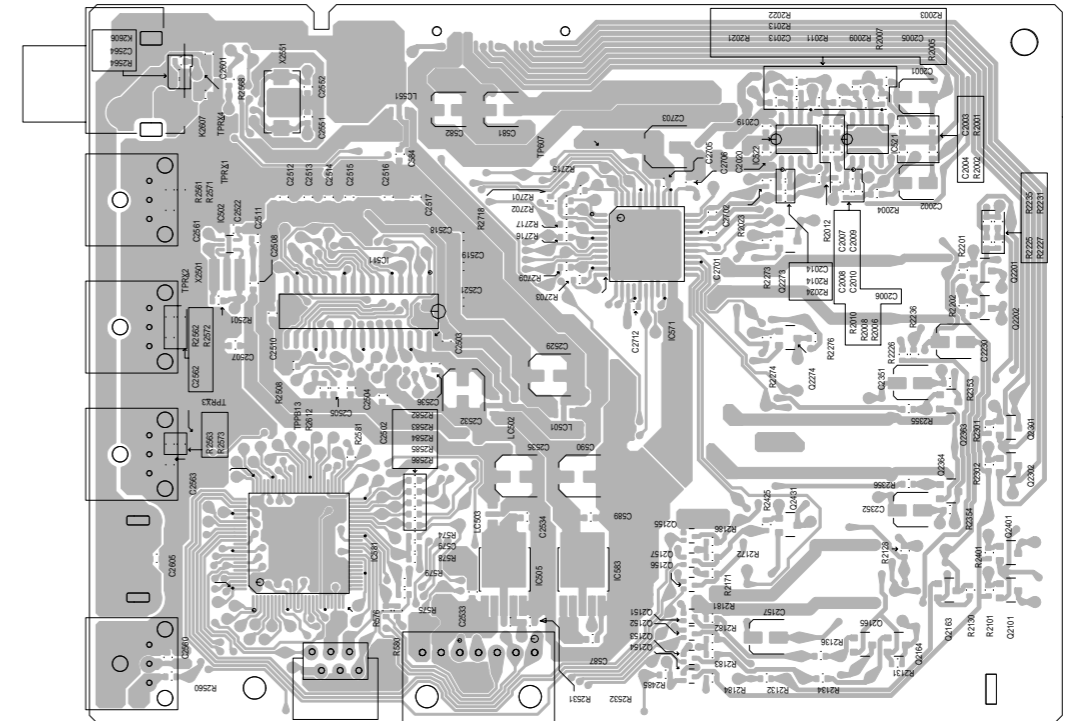


Power board

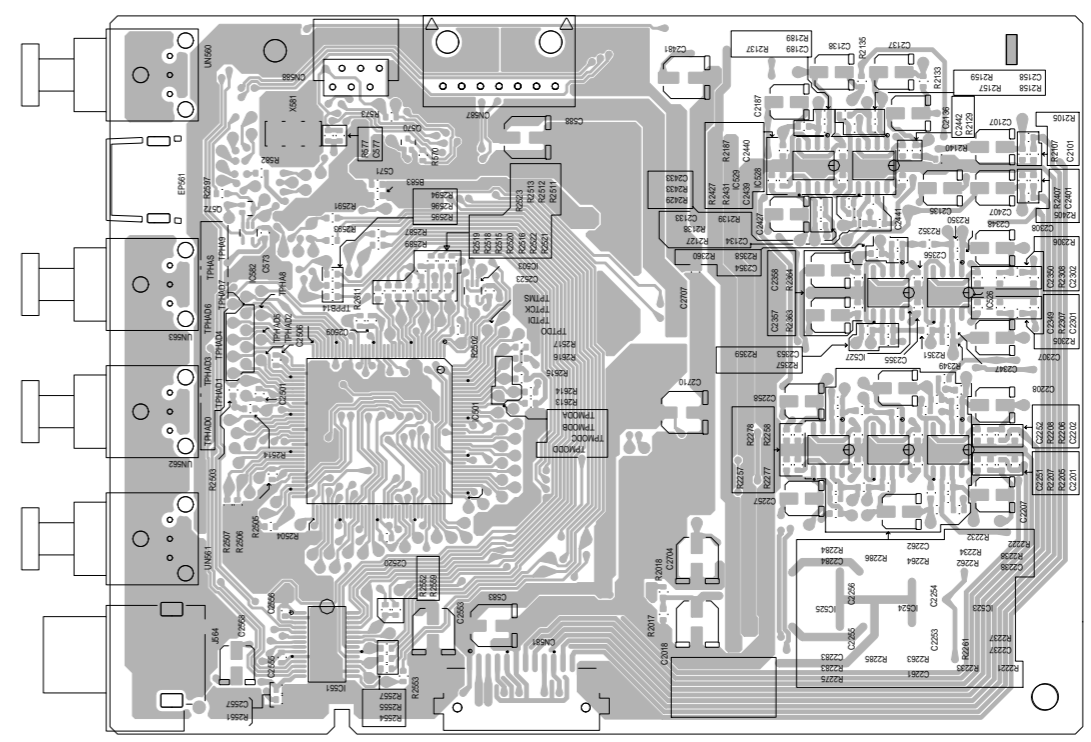


DSP board

Reverse side



Forward side



5

4

3

2

1

A

B

C

2-20

D

E

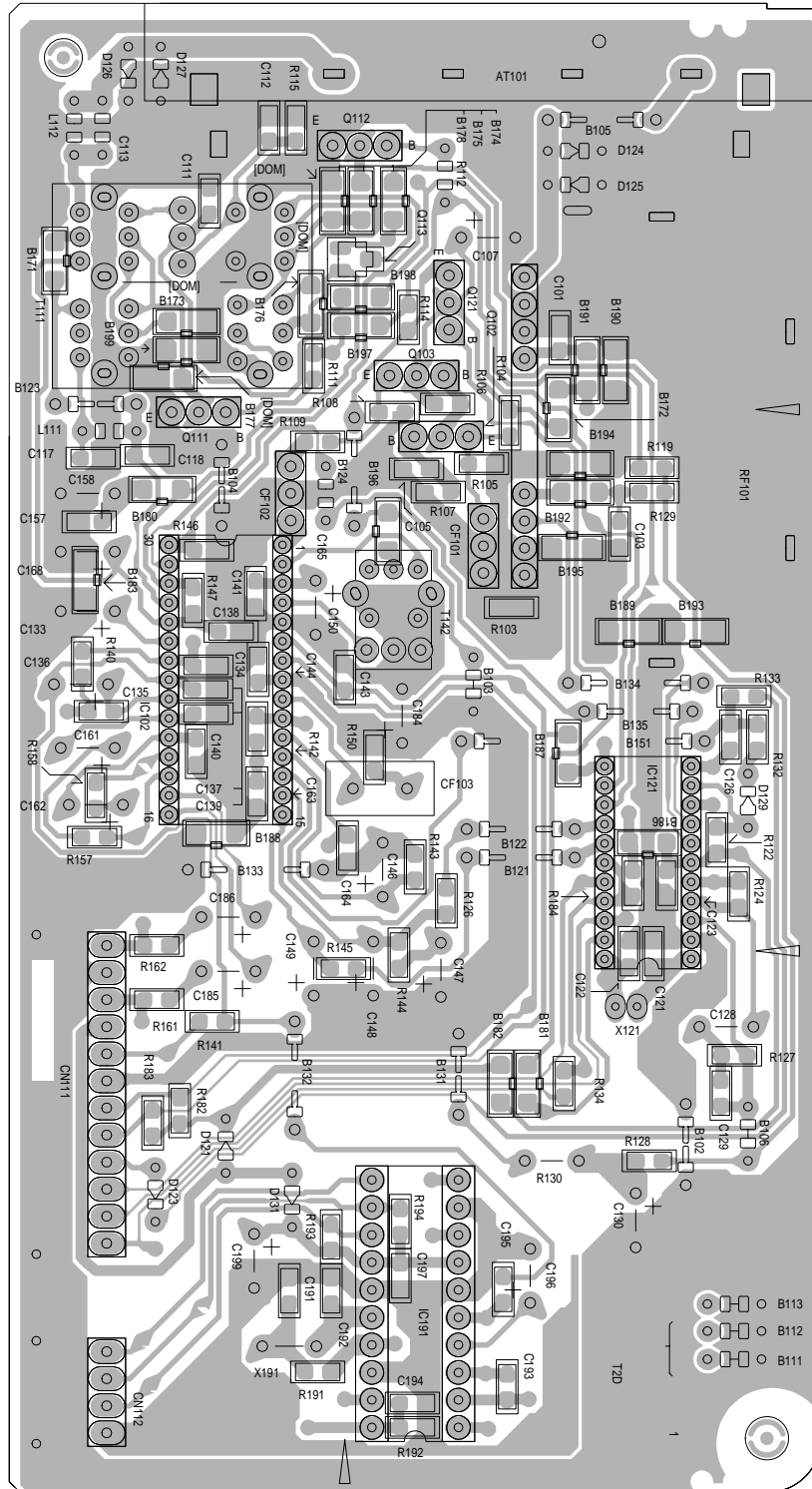
F

G

H

■ Tuner board

5
4
3
2
1



A

B

C

D